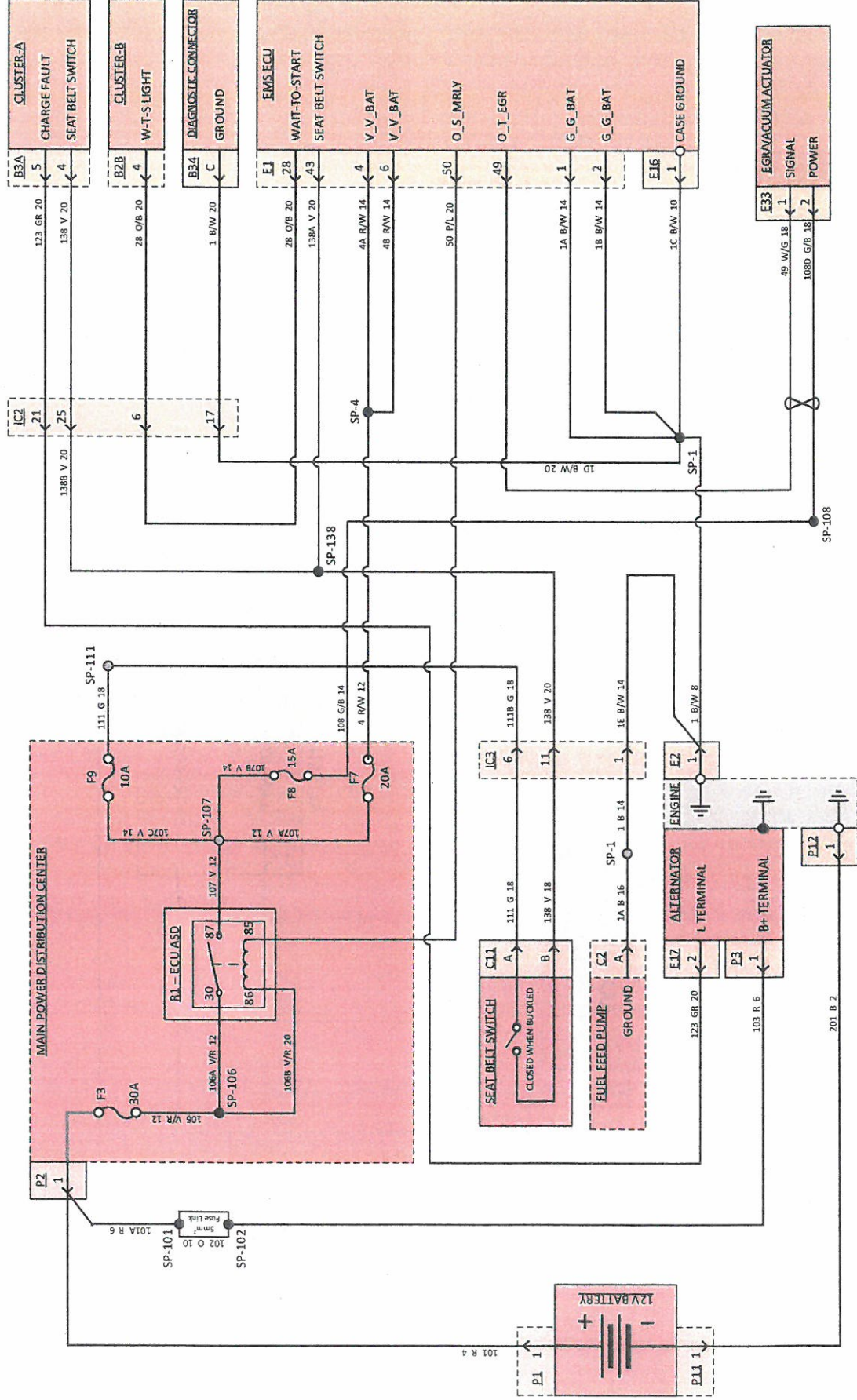
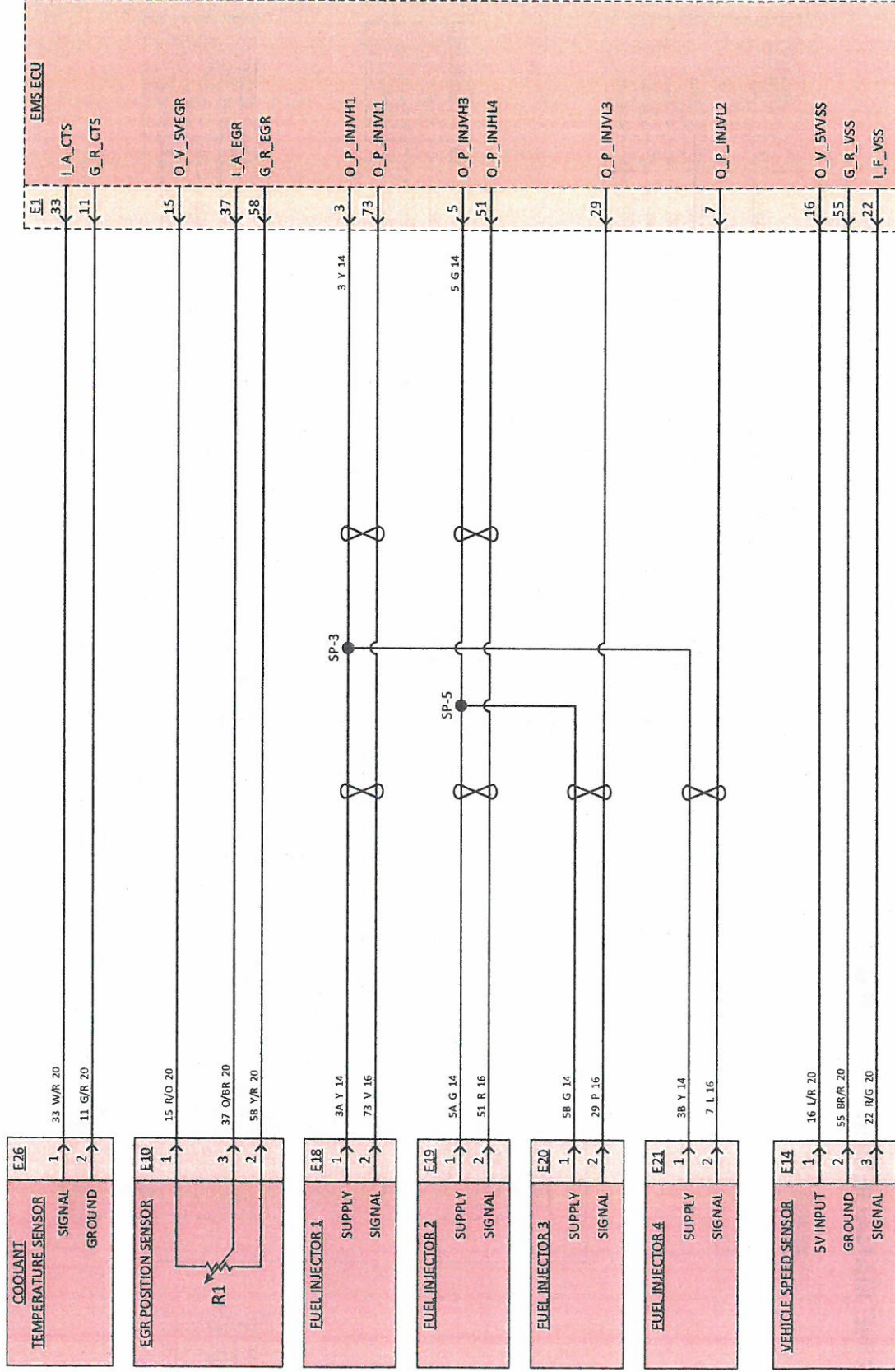


### 5.3 ENGINE MANAGEMENT SYSTEM 1



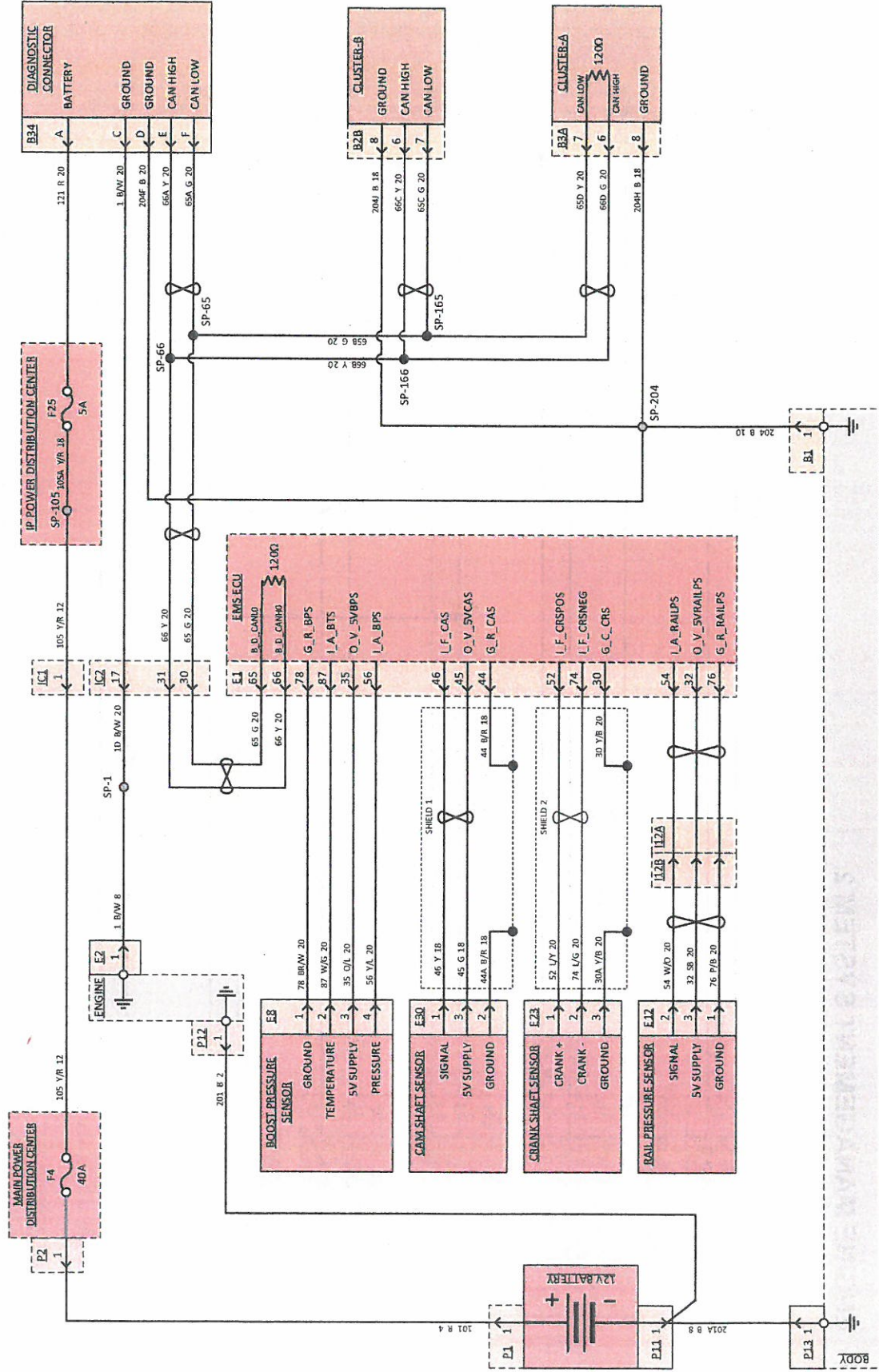
The repair methods given by the manufacturer in this document are based on the technical specifications current at the time of release. The methods may be modified as a result of changes introduced by the manufacturer in the production of the various component units and accessories from which the vehicles are manufactured. The reproduction, translation, transmission, in part or whole of the present document, are prohibited without the prior written consent of Mahindra & Mahindra Ltd. The use of this document by any person other than the trained personnel, at the Authorized Service Centre of Mahindra & Mahindra Ltd., will amount to unauthorized use and shall be liable for penalty/prosecution © 2018 Mahindra & Mahindra Ltd.

### 5.4 ENGINE MANAGEMENT SYSTEM 2



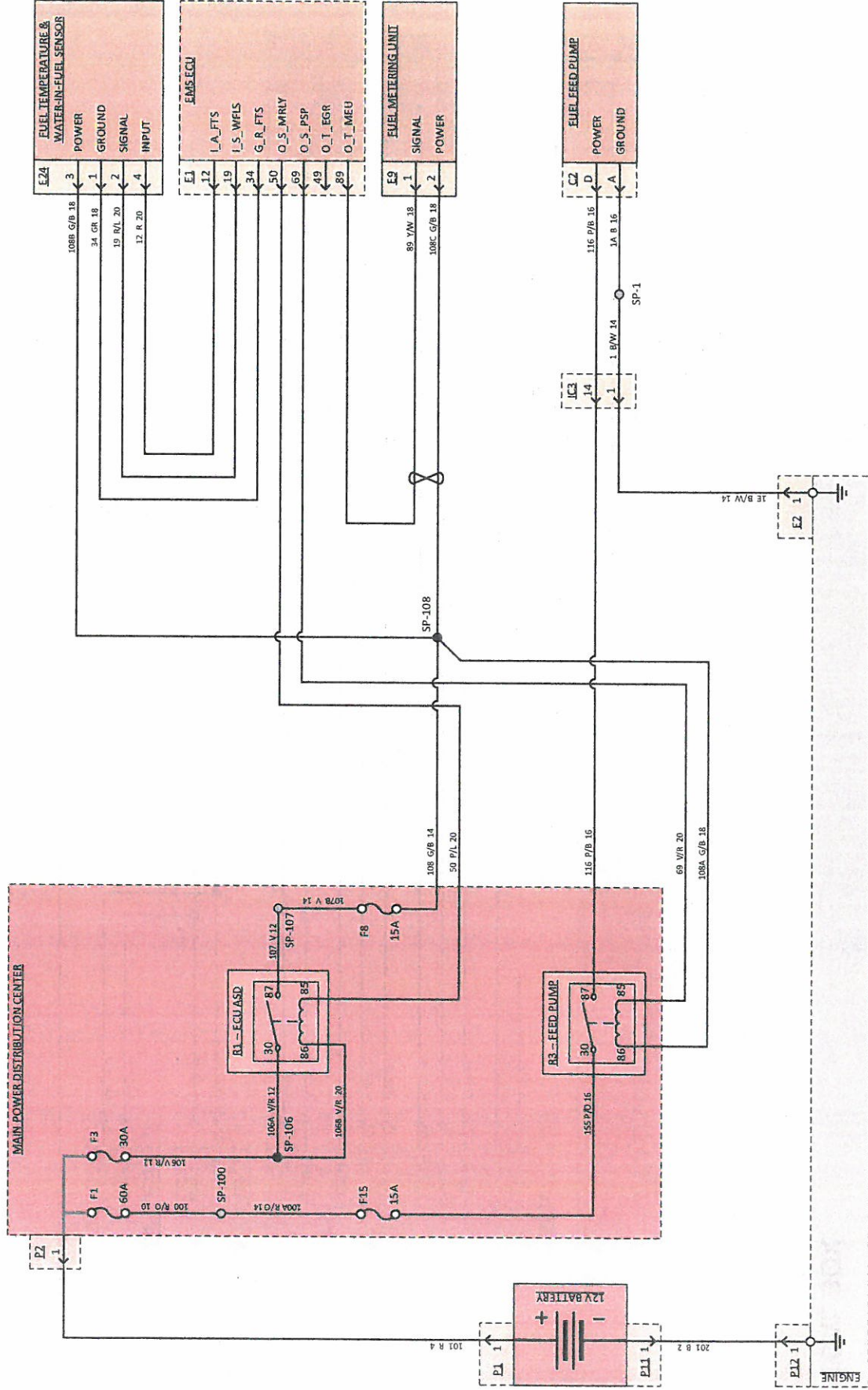


### 5.5 ENGINE MANAGEMENT SYSTEM 3



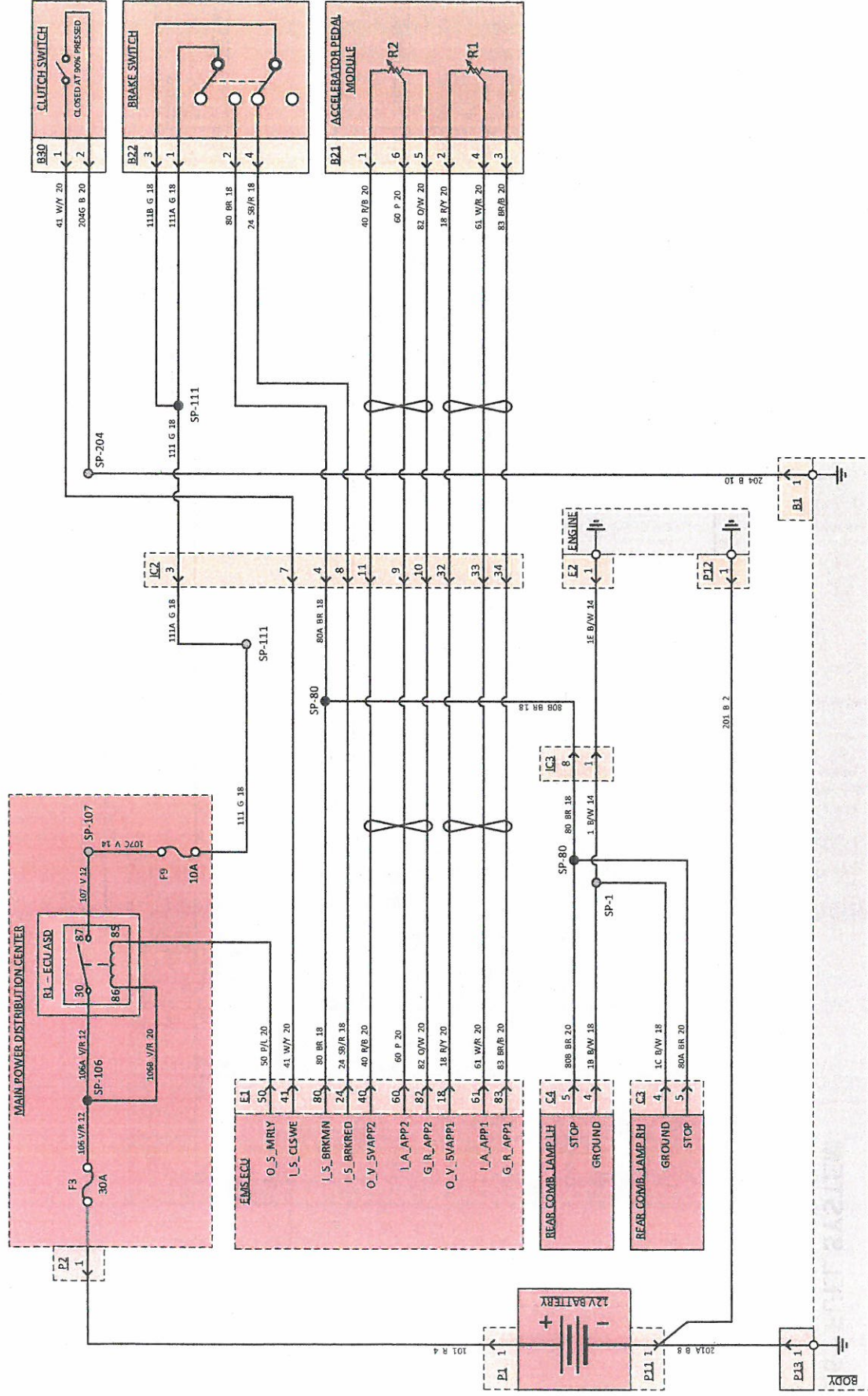
The repair methods given in this document are based on the technical specifications current at the time of release. The methods may be modified as a result of changes introduced by the manufacturer in the production of the various component units and accessories from which the vehicle are assembled. This technical information, in part or whole of the present document, is prohibited without the prior written consent of Mahindra & Mahindra Ltd. The use of this document by any person other than the trained personnel, at the Authorized Service Centre of Mahindra & Mahindra Ltd., will amount to unauthorized use and shall be liable for penalty/prosecution © 2018 Mahindra & Mahindra Ltd.

### 5.6 FUEL SYSTEM



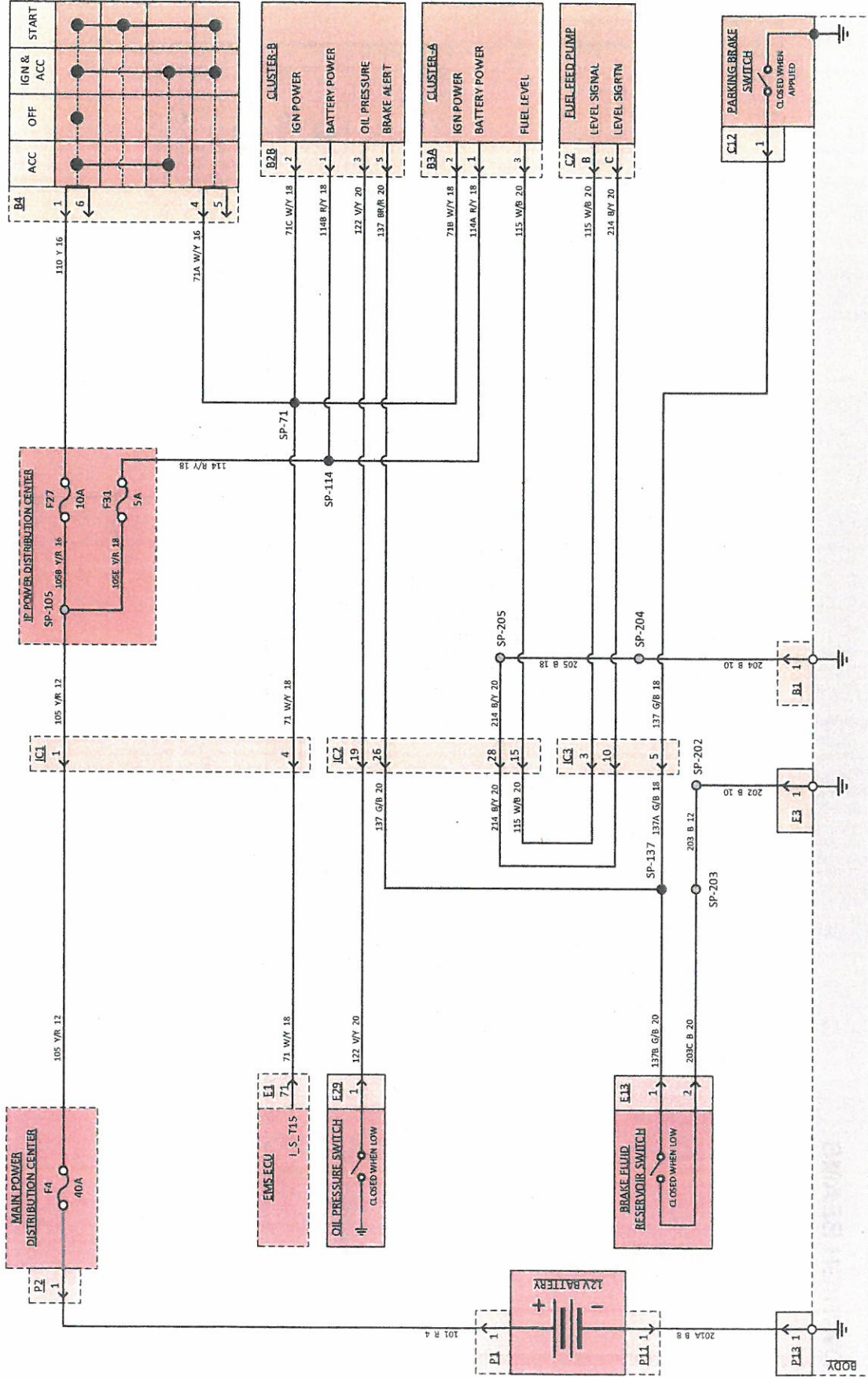


### 5.7 PEDAL BOX



The repair methods given by the manufacturer in this document are based on the technical specifications, current at the time of release. The methods may be modified as a result of changes introduced by the manufacturer in the production of the various component units and accessories from which the vehicles are manufactured. The reproduction, translation, transmission, in part or whole of the present document, are prohibited without the prior written consent of Mahindra & Mahindra Ltd. The use of this document by any person other than the trained personnel, at the Authorized Service Centre of Mahindra & Mahindra Ltd., will amount to unauthorized use and shall be liable for penalty/prosecution © 2018 Mahindra & Mahindra Ltd.

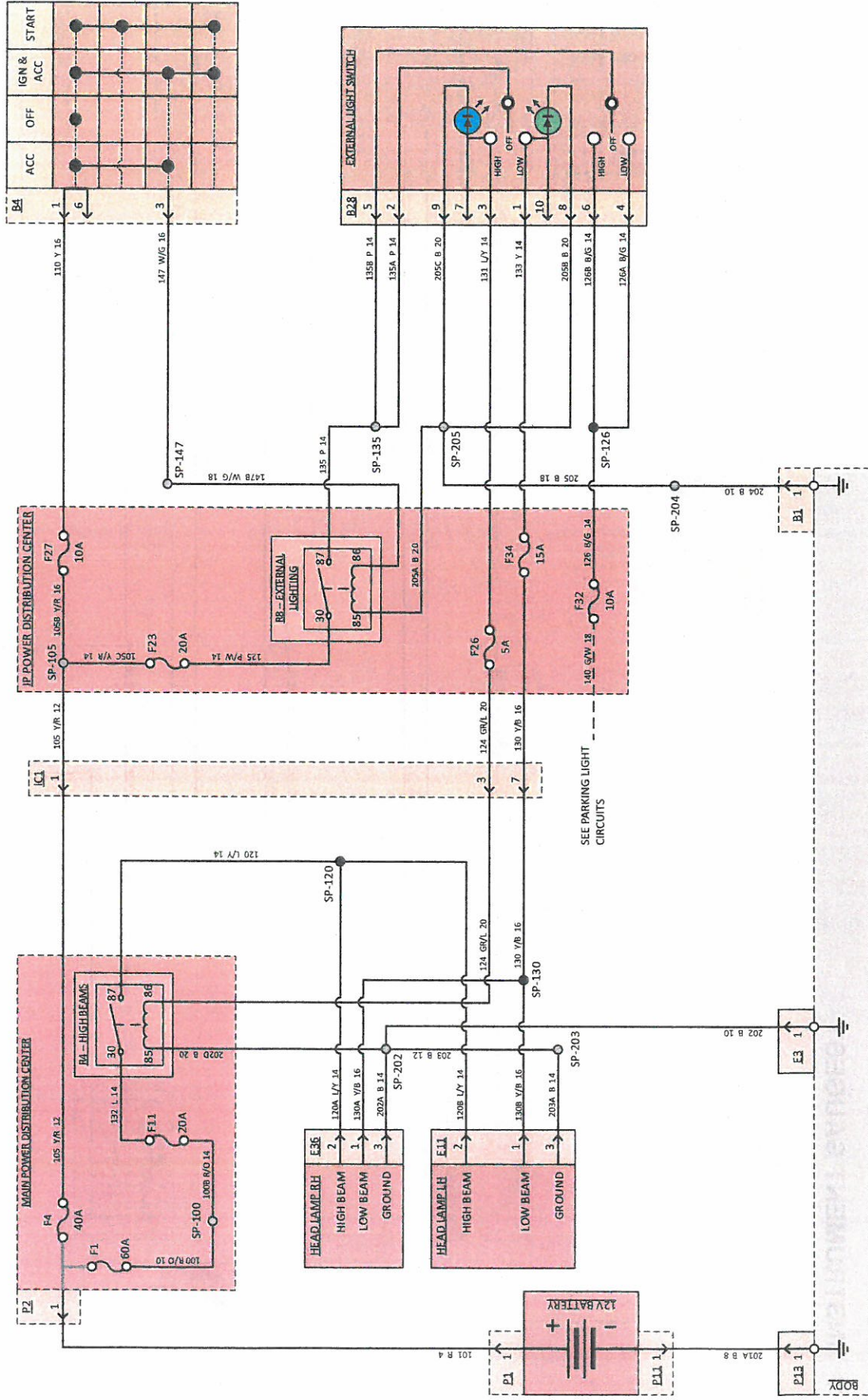
### 5.8 INSTRUMENT GAUGES



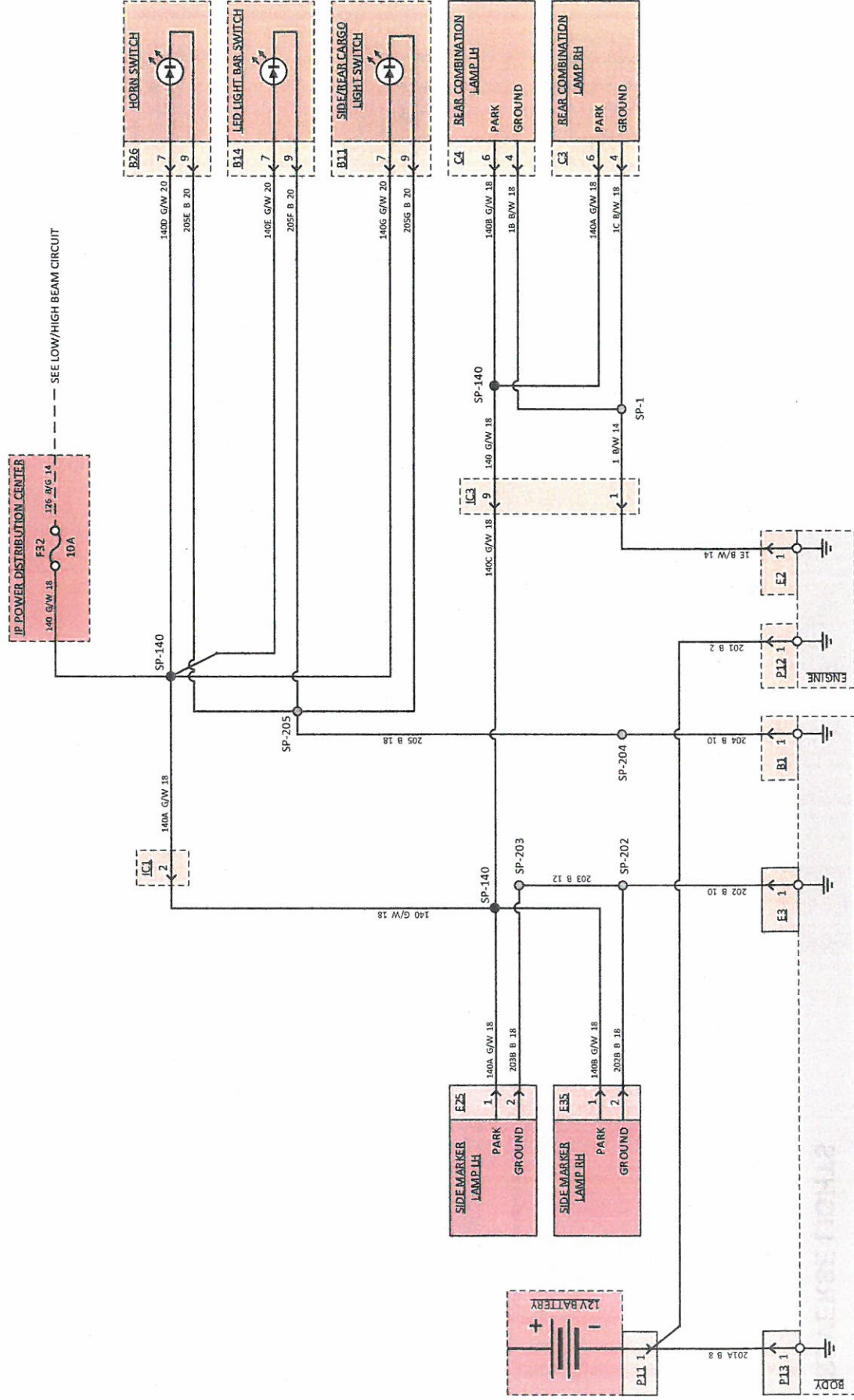
The repair methods given by the manufacturer in this document are based on the technical specifications, current at the time of release. The methods may be modified as a result of changes introduced by the manufacturer in the production of the various component units and accessories from which the vehicles are assembled. The use of these methods is prohibited without the prior written consent of Mahindra & Mahindra Ltd. The use of this document by any person other than the trained personnel, at the Authorized Service Centre of Mahindra & Mahindra Ltd. will amount to unauthorized use and shall be liable for penalty/prosecution © 2018 Mahindra & Mahindra Ltd.



### 5.9 LOW/HIGH BEAMS

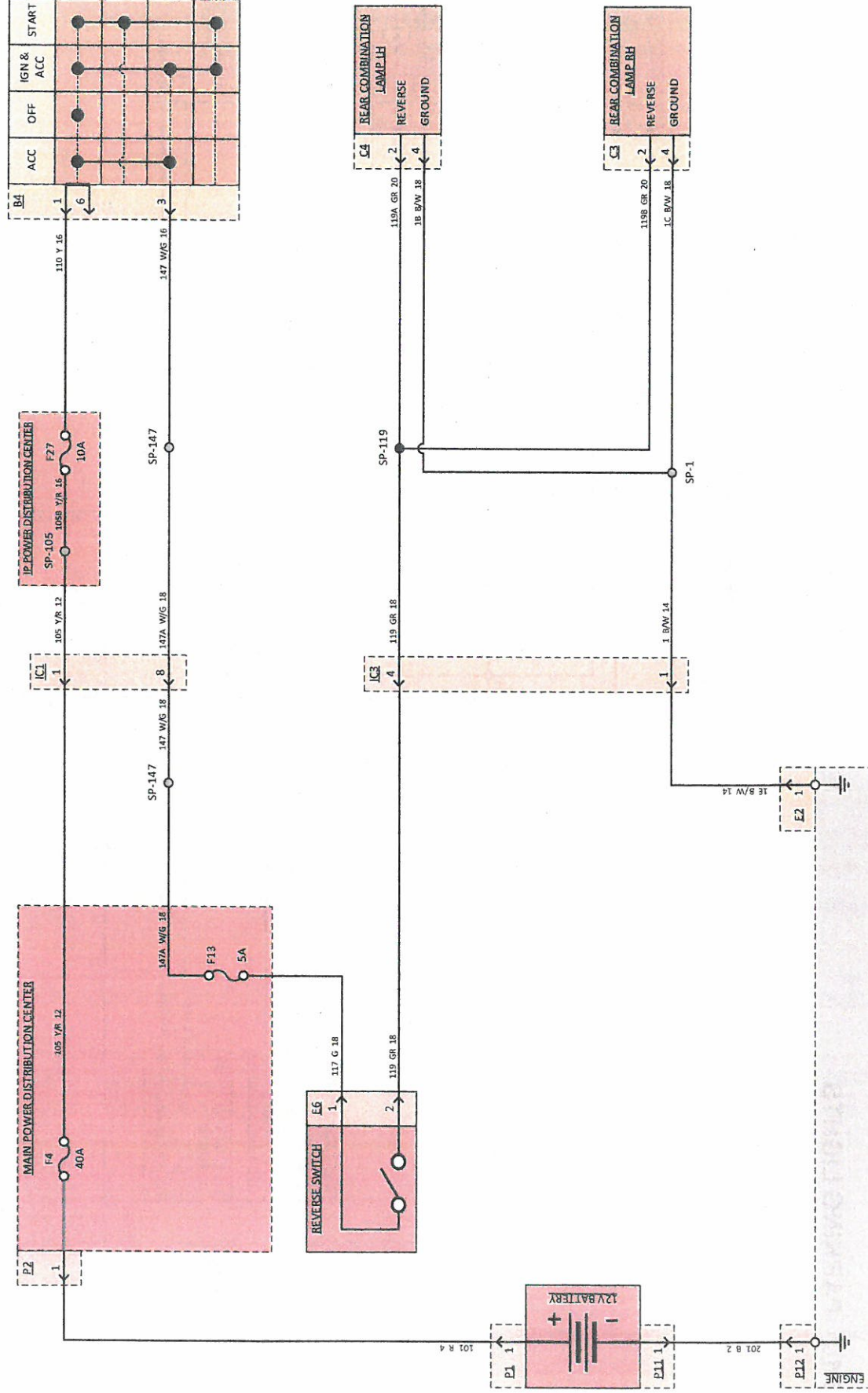


### 5.10 PARKING LIGHTS



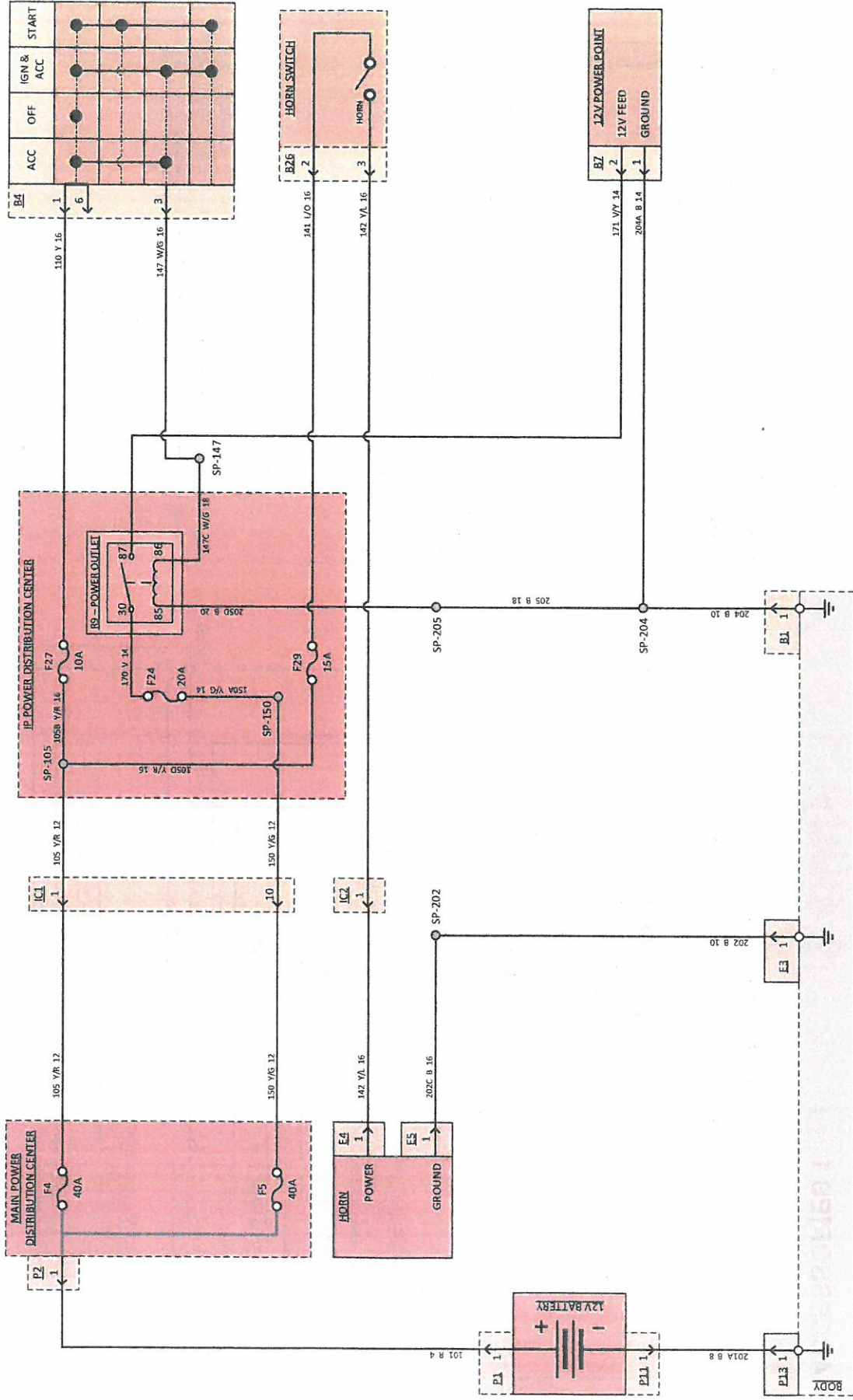


### 5.11 REVERSE LIGHTS



The repair methods given by the manufacturer in this document are based on the technical specifications, current at the time of release. The methods may be modified as a result of changes introduced by the manufacturer in the production of the various component units and accessories from which the vehicles are manufactured. The reproduction, translation, transmission, in part or whole of the present document, are prohibited without the prior written consent of Mahindra & Mahindra Ltd. The use of this document by any person other than the trained personnel, at the Authorized Service Centre of Mahindra & Mahindra Ltd., will amount to unauthorized use and shall be liable for penalty/prosecution © 2018 Mahindra & Mahindra Ltd.

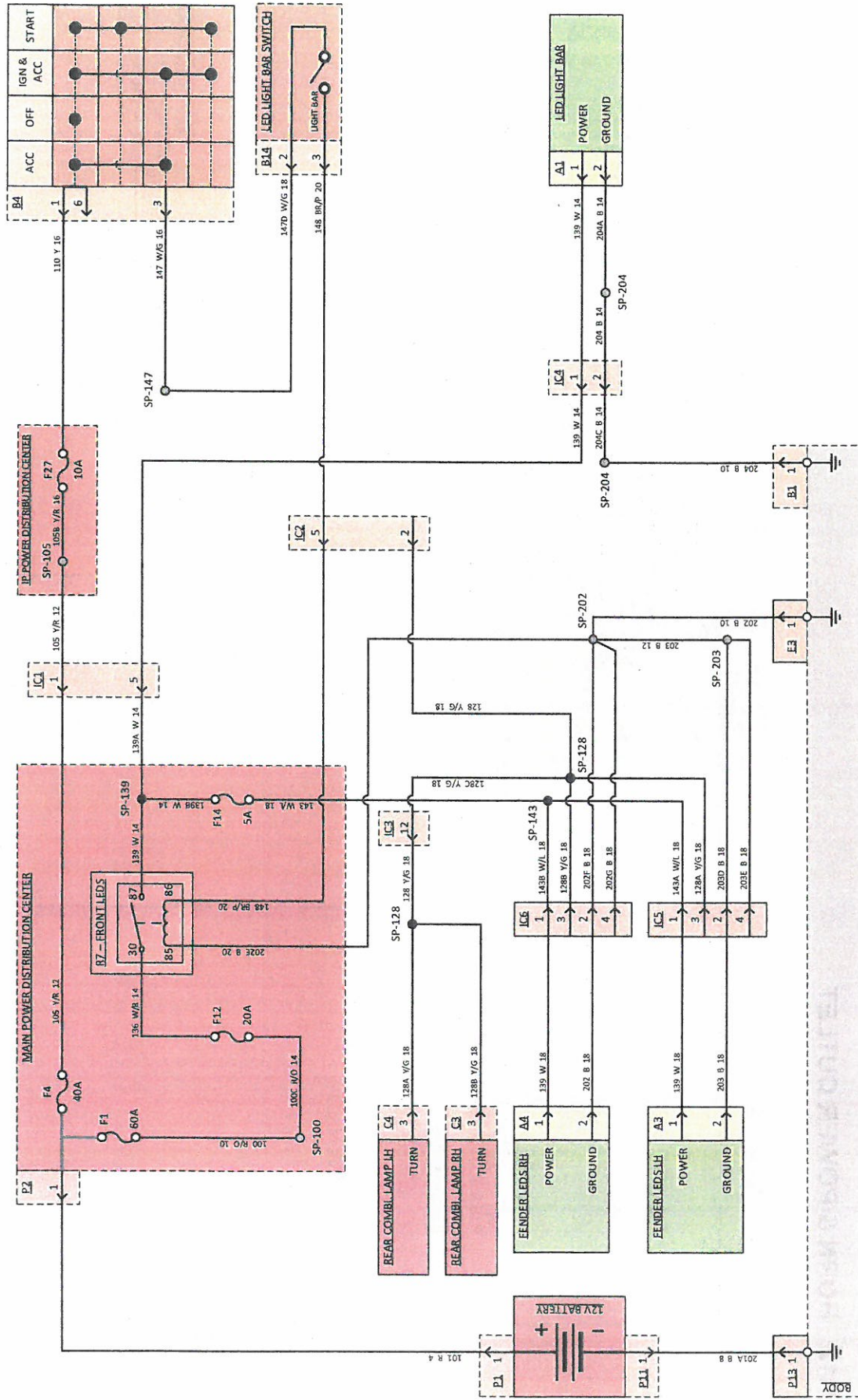
### 5.12 HORN & POWER OUTLET



The repair methods given by the manufacturer in this document are based on the technical specifications, current at the time of release. This methods may be modified as a result of changes introduced by the manufacturer in the production of the various component units and accessories from which the vehicles are manufactured. The reproduction, translation, transmission, in part or whole of the present document, are prohibited without the prior written consent of Mahindra & Mahindra Ltd. The use of this document by any person other than the trained personnel, at the Authorized Service Centre of Mahindra & Mahindra Ltd., will amount to unauthorized use and shall be liable for penalty/prosecution © 2016 Mahindra & Mahindra Ltd.

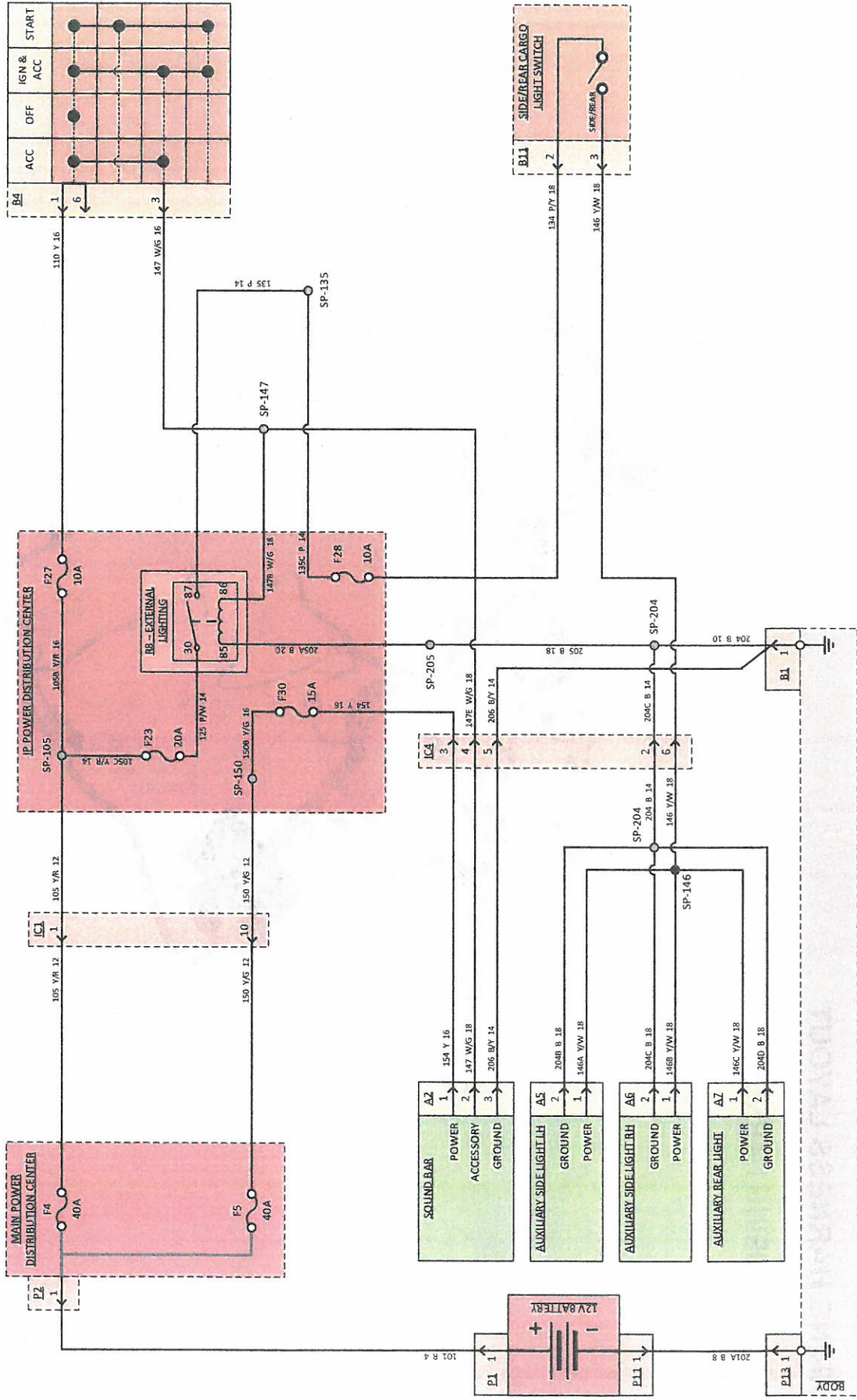


### 5.13 ACCESSORIES 1



The repair methods given by the manufacturer in this document are based on the technical specifications, current at the time of release. The methods may be modified as a result of changes introduced by the manufacturer in the production of the various component units and accessories from which the vehicles are manufactured. The reproduction, translation, transmission, in part or whole of the present document, are prohibited without the prior written consent of Mahindra & Mahindra Ltd. The use of this document by any person other than the trained personnel, at the Authorized Service Centre of Mahindra & Mahindra Ltd., will amount to unauthorized use and shall be liable for penalty/prosecution © 2018 Mahindra & Mahindra Ltd.

### 5.14 ACCESSORIES 2

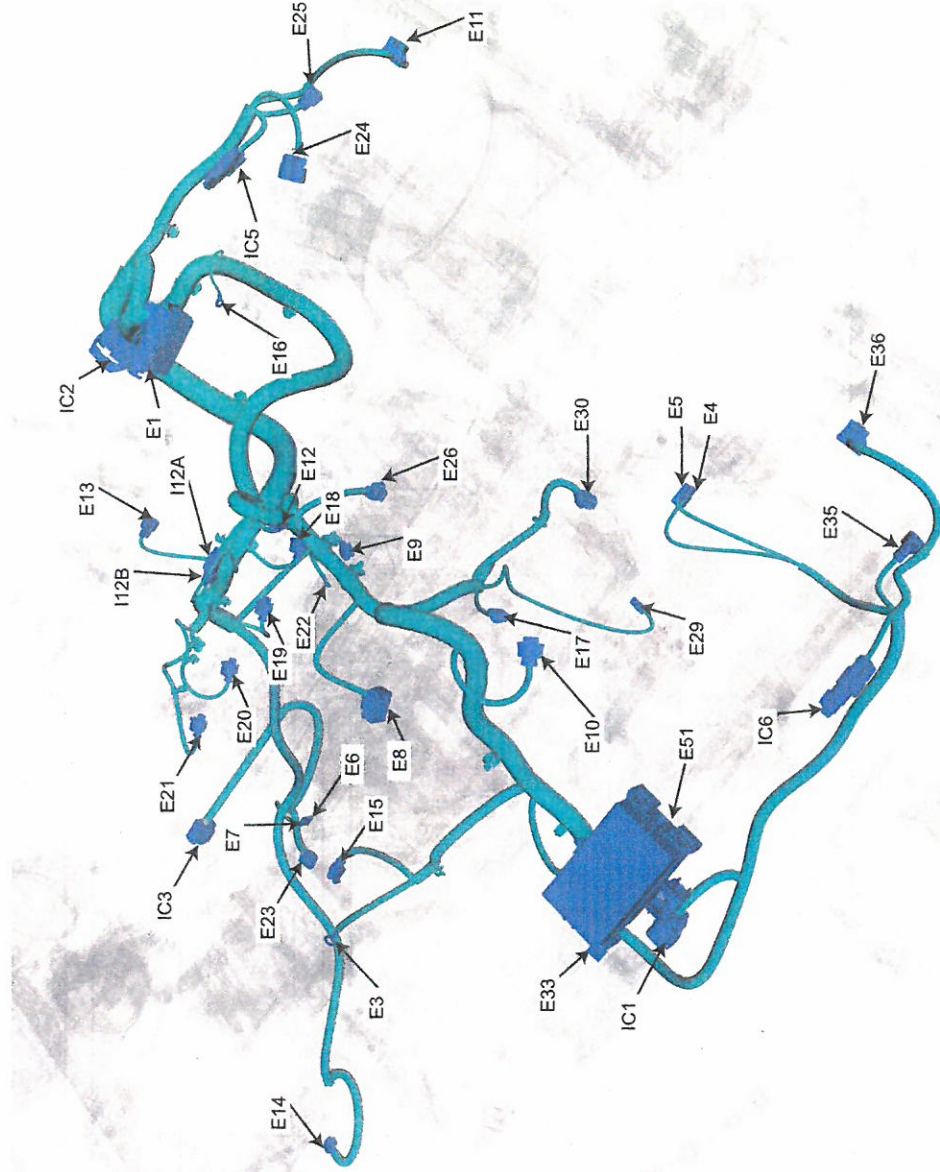


The repair methods given by the manufacturer in this document are based on the technical specifications, current at the time of release. The methods may be modified as a result of changes introduced by the manufacturer in the production of the various component units and accessories from which the vehicles are manufactured. The reproduction, translation, transmission, in part or of whole of the present document, are prohibited without the prior written consent of Mahindra & Mahindra Ltd. The use of this document by any person other than the trained personnel, at the Authorized Service Centre of Mahindra & Mahindra Ltd., will amount to unauthorized use and shall be liable for penalty/prosecution 2018 Mahindra & Mahindra Ltd.



## 6 WIRING HARNESS LAYOUT

### 6.1 ENGINE WIRING HARNESS



6.1.1 ENGINE WIRING HARNESS CONNECTOR LIST

CONNECTOR NO.	DESCRIPTION	HARNESS	POLE	TYPE
E1	EMS ECU	ENGINE	94	C
E2	ENGINE BLOCK GROUND	ENGINE	-	TER
E3	BODY GROUND	ENGINE	-	TER
E4	HORN POSITIVE	ENGINE	1	C
E5	HORN NEGATIVE	ENGINE	1	C
E6,E7	REVERSE SWITCH	ENGINE	2	C
E8	BOOST PRESSURE SENSOR	ENGINE	4	C
E9	FUEL METERING UNIT	ENGINE	2	C
E10	EGR POSITION SENSOR	ENGINE	3	C
E11	HEAD LAMP LH	ENGINE	3	C
E12	RAIL PRESSURE SENSOR	ENGINE	3	C
E13	BRAKE FLUID RESERVOIR	ENGINE	2	C
E14	VEHICLE SPEED SENSOR	ENGINE	3	C
E15	HEATER RELAY CONTROL	ENGINE	2	C
E16	ECU CASE GROUND	ENGINE	-	TER



E17	ALTERNATOR L	ENGINE	2	C
E18	FUEL INJECTOR 1	ENGINE	2	C
E19	FUEL INJECTOR 2	ENGINE	2	C
E20	FUEL INJECTOR 3	ENGINE	2	C
E21	FUEL INJECTOR 4	ENGINE	2	C
E22	STARTER SOLENOID	ENGINE		TER
E23	CRANK SHAFT SENSOR	ENGINE	3	C
E24	WATER IN FUEL SENSOR	ENGINE	4	C
E25	SIDE MARKER LAMP LH	ENGINE	2	C
E26	COOLANT TEMPERATURE SENSOR	ENGINE	2	C
E29	OIL PRESSURE SWITCH	ENGINE	1	C
E30	CAM SHAFT SENSOR	ENGINE	3	C
E33	EGR VACUUM ACTUATOR	ENGINE	2	C
E35	SIDE MARKER LAMP RH	ENGINE	2	C
E36	HEAD LAMP RH	ENGINE	3	C
E51	MAIN PDC	ENGINE	79	C
I12A	RAIL PRESSURE JUMPER BREAK INLINE A	ENGINE	3	C

I12B	RAIL PRESSURE JUMPER BREAK INLINE B	ENGINE	3	C
IC1	ENGINE TO BODY	ENGINE	10	IC
IC2	ENGINE TO BODY	ENGINE	34	IC
IC3	ENGINE TO CHASSIS	ENGINE	14	IC
IC5	LH CORNER ACCESSORY LIGHTS	ENGINE	4	IC
IC6	RH CORNER ACCESSORY LIGHTS	ENGINE	4	IC
C - CONNECTOR, IC - INTER CONNECTOR, TER - TERMINAL				



6.1.2 ENGINE WIRING HARNESS CONNECTOR LOCATION VIEW

