

# **ROXOR Parts Catalog**

**2018 - 2023**

**7.14.23**

**Product Change Log**

Serial # is defined as  
last 5 digits of PIN #

Date	Serial #	Serial #
7/14/2023		

Change	Authority
release 1 of catalog	CPN







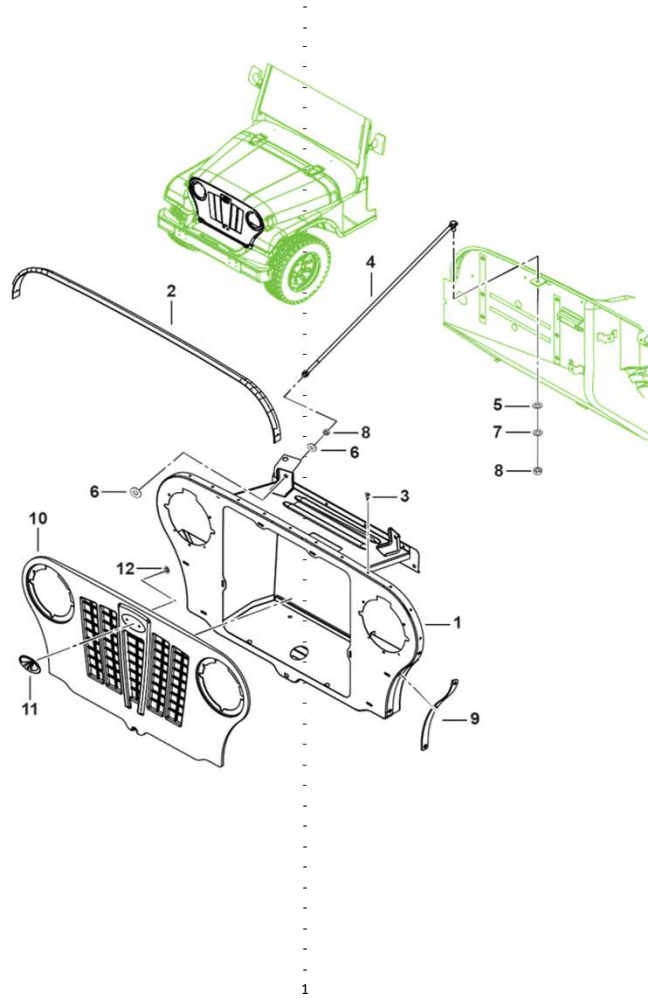








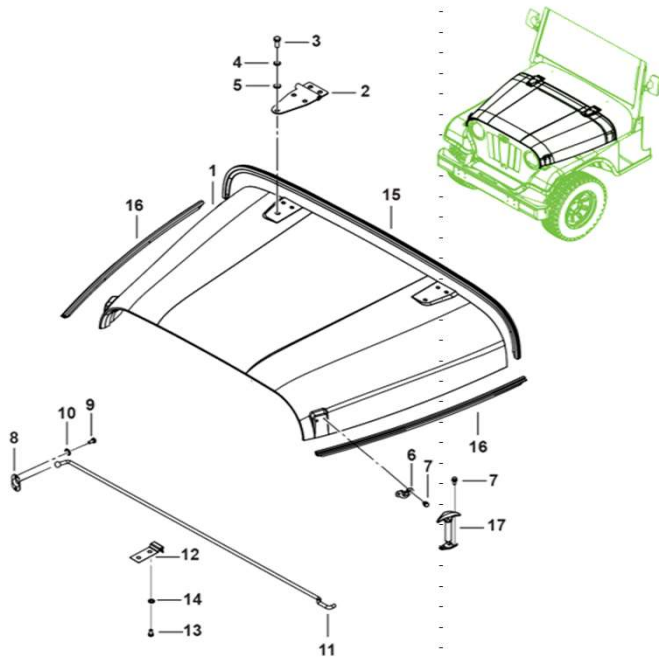
RADIATOR GUARD 2018-2019



1	0102DAD01220N	RADIATOR GUARD ASSY	1
2	14010A0021N	PROFILE BEADING PNL RAD GUARD	1
3	00954117	CLIP RADIATOR GUARD LINER	13
4	19000A1660N	TIE ROD ASSY DASH TO FRONT END	2
5	SF0401012	WASHER PLAIN M8X16X1.5XZN5	2
6	SF0401102	WASHER PLAIN G9.5X22.23X2.13	4
7	SF0402008	WASHER SPRING L M8X14.8X2XZN5	2
8	SF0301009	NUT HEX M8X1.25X6.5X8XZN	6
9	0057930	FILLER STRIP FNDR TO RAD GRD	2
10	2302DUA00060N	FRONT GRILL	1
11	0108AG0030N	MAHINDRA LOGO	1
12	0108AG0060N	NUT SPIN SPEED LOGO	2

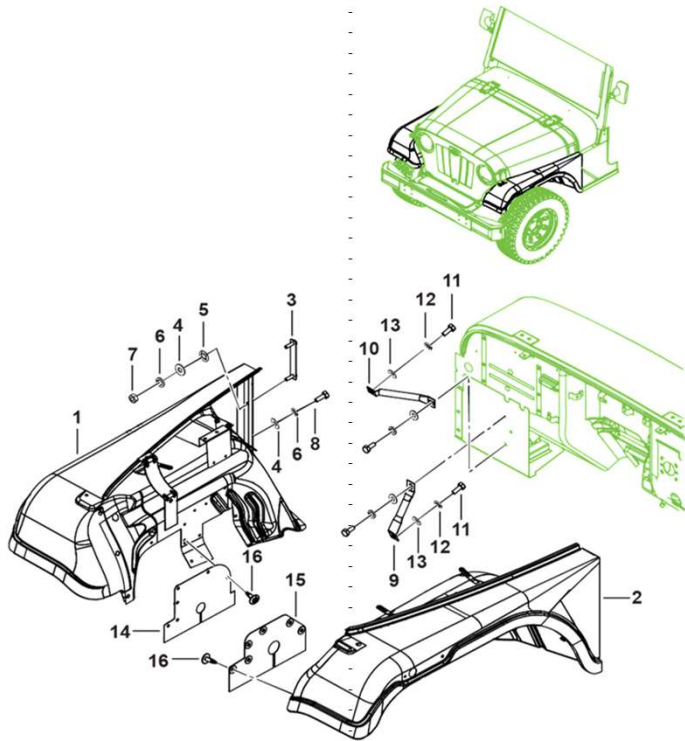


HOOD RELEASE AND HARDWARE



1	0098829	HOOD ASSY RHD	1
2	0097549	ASSY HINGE HOOD	2
3	SF0201023	SCREW HEX M8X1.25X20X8.8XZN	10
4	SF0402008	WASHER SPRING L M8X14.8X2XZN51	10
5	SF0401012	WASHER PLAIN M8X16X1.5XZN5	10
6	0114CAD00110N	HOOD CATCH BRKT	2
7	SF0103005	BOLT HEX HD LP M6X1X16 COMBI	4
8	00979727	BRKT HOOD PROP RET	1
9	SF0206014	SCREW PHS M6X1X14X6.6 ZN	2
10	SF0403002	WASHER TOOTH EX G9.5X17.6X1.02XZ	2
11	00979722	ROD HOOD PROP	1
12	00979305	CLIP RETAINER HOOD PROP	1
13	SF0216021	SCREW TPPA CR ST4.8X1.6X9.5 C	2
14	SF0403006	WASHER TOOTH EX G4.8X10.4X0.64XZ	2
15	0067723	WEATHERSTRIP BONNET RR	1
16	0067724	WEATHERSTRIP BONNET SIDE	2
17	0114CAD00100N	HOOD CATCH	2

FENDERS 2018-2020



1	0102CAD02000N	ASSY FRONT FENDER RH	1
2	0102CAD01990N	ASSY FRONT FENDER LH	1
3	0080237	RETAINER PLATE FENDER MTG	2
4	SF0401102	WASHER PLAIN G9.5X22.23X2.13	8
5	0671995	SPEED NUT	4
6	SF0402008	WASHER SPRING L M8X14.8X2XZN51	8
7	SF0301009	NUT HEX M8X1.25X6.5X8XZN	4
8	SF0201061	SCREW HEX M8X1.25X25X8.8XGR	4
9	0072998	STAY BRKT VERT DASH TO FENDER RH	1
9	0072997	STAY BRKT VERT DASH TO FENDER LH	1
10	0073000	HOR STAY BRKT DASH PNL TO FNDR RH	1
10	0072999	STAY BRKT HORI DASH TO FENDER LH	1
11	0099105	SPEC BOLT HEX HD M10X1.5X25	8
12	SF0402046	WASHER SPRING L M10X18.5X2.5	8
13	SF0401050	WASHER PLAIN G9.5X25.4X2.1	8
14	0074475	COVER SPLASH APRON RH	1
15	0074474	COVER SPLASH APRON FRT FENDER LH	1
16	0105ZAW00211N	SCRIVET PLASTIC M6	12







































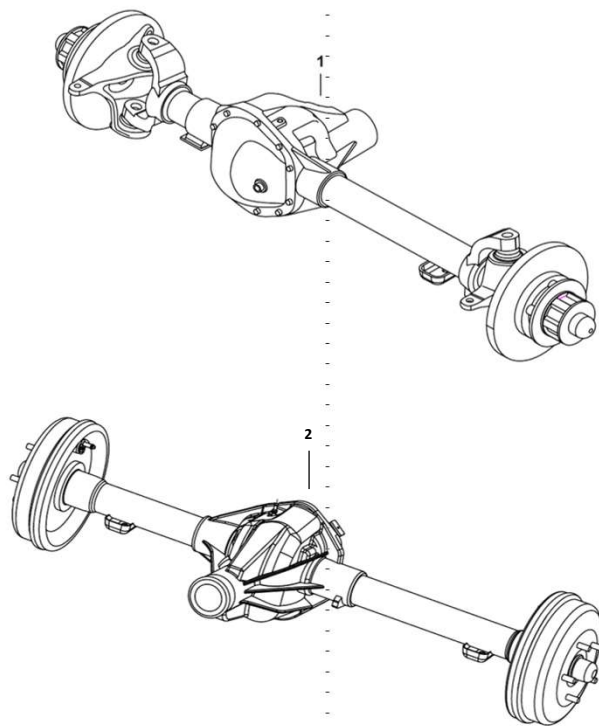








AXLES - 5.38 RATIO



1

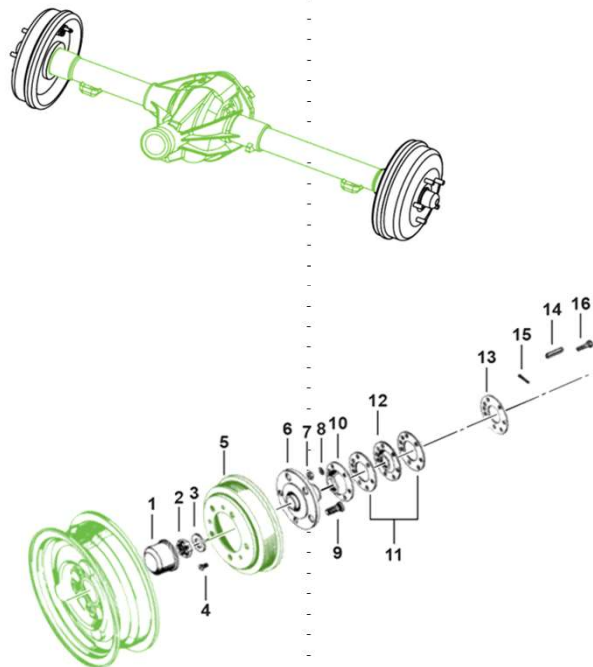
1 0502AAA12310N  
2 0502AAA123000N

AXLE ASSY FRONT - 5.38  
AXLE ASSY REAR - 5.38

1  
1



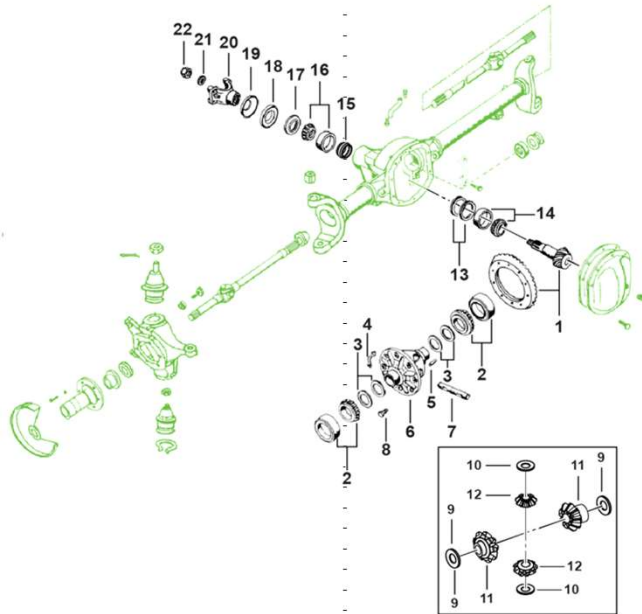
REAR HUB AND BEARING



1	0641920	CAP WHEEL HUB	1	-
2	0636344	NUT REAR AXLE SHAFT	2	-
3	0640945	WASHER REAR AXLE SHAFT	2	-
4	3206206	SCREW SLOTTED C/SNK M6 - 1 X 16	2	-
5	0099621	BRAKE DRUM	2	-
6	0099856	REAR HUB	2	-
7	G120369	NUT HEX G9.25mm	6	-
8	G123920	LOCKWASHER SPRING	6	-
9	0099624	WHEEL HUB BOLT	10	-
10	0640888	REAR BRAKE GREASE PROTECTOR	1	-
11	00937231	GASKET REAR BRAKE GREASE PROTECTOR	2	-
12	0018697	AXLE SHAFT GREASE RETAINER ASSY	1	-
13	0802887	RETAINER REAR WHEEL BEARING	1	-
14	0636374	KEY AXLE SHAFT REAR HUB	1	-
15	7032216	PIN COTTER	1	-
16	SF0101079	BOLT HEX 0.375X24X1.457X8.8XZN	6	-
-	-	-	-	-
-	-	-	-	-
-	-	-	-	-
-	-	-	-	-
-	-	-	-	-
-	-	-	-	-
-	-	-	-	-
-	-	-	-	-
-	-	-	-	-
-	-	-	-	-
-	-	-	-	-
-	-	-	-	-
-	-	-	-	-
-	-	-	-	-
-	-	-	-	-
-	-	-	-	-
-	-	-	-	-
-	-	-	-	-
-	-	-	-	-
-	-	-	-	-
-	-	-	-	-
-	-	-	-	-
-	-	-	-	-
-	-	-	-	-
-	-	-	-	-
-	-	-	-	-
-	-	-	-	-
-	-	-	-	-
-	-	-	-	-
-	-	-	-	-
-	-	-	-	-
-	-	-	-	-
-	-	-	-	-
-	-	-	-	-
-	-	-	-	-
-	-	-	-	-
-	-	-	-	-



FRONT AXLE DIFFERENTIAL - 5.38 RATIO



1	0502BAA99560N	HYPOID SET 5.38R	1	-
2	19408	KIT BRG	2	-
3	639959	DIFF ADJUSTING SHIM 0.076mm	A/R	-
3	639960	DIFF ADJUSTING SHIM 0.127mm	A/R	-
3	639961	DIFF ADJUSTING SHIM 0.254mm	A/R	-
3	639962	DIFF ADJUSTING SHIM 0.030mm	A/R	-
3	83908	DIFF ADJUSTING SHIM 0.178mm	A/R	-
4	802561	AXLE DRIVE GEAR SCR LOCK STR	1	-
5	0502EA3570N	DIFF PINION MATE SHAFT LOCK PIN	1	-
6	0502EAA07760N	SNGL PCS DIFF CASE 5.38 FORGED	1	-
7	0502DA0400N	DIFF BEVEL PINION MATE SHAFT	1	-
8	0502EAA05100N	CROWN GEAR BOLT	10	-
9	0502EA0370N	DIFF GEAR THRUST WASHER 0.97mm	AR	-
10	0502EA0380N	DIFF GEAR THRUST WASHER 1.02mm	AR	-
10	0502EA0320N	DIFF GEAR THRUST WASHER 0.71mm	AR	-
10	0502EA0330N	DIFF GEAR THRUST WASHER 0.76mm	AR	-
10	0502EA0340N	DIFF GEAR THRUST WASHER 0.81mm	AR	-
10	0502EA0350N	DIFF GEAR THRUST WASHER 0.86mm	AR	-
10	0502EA0360N	DIFF GEAR THRUST WASHER 0.91mm	AR	-
10	0502EA0370N	DIFF GEAR THRUST WASHER 0.97mm	AR	-
10	0502EA0380N	DIFF GEAR THRUST WASHER 1.02mm	AR	-
10	0502EA0390N	DIFF GEAR THRUST WASHER 1.07mm	AR	-
11	0502DA1440N	FORGED SIDE GEAR 19 INV SPLN	2	-
12	0502DA0430N	PRECISION FORGED PINION MATE	2	-
13	639969	DRIVE PINION BRG ADJ SHIM RR (0.003")	A/R	-
13	639970	DRIVE PINION BRG ADJ SHIM RR (0.005")	A/R	-
13	639971	DRIVE PINION BRG ADJ SHIM RR (0.010")	A/R	-
13	639975	DRIVE PINION BRG ADJ SHIM FRT	A/R	-
14	19405	DRIVE PINION BEARING ASSY INNER	1	-
15	0502EA3850N	SPACER COLLAPSIBLE	1	-
16	19402	DRIVE PINION BEARING ASSY OUTER	1	-
17	75871	OIL SLINGER DRIVE PINION BRG	1	-
18	0503CA0211N	SEAL PINION FRONT AXLE	1	-
19	636568	SEAL DUST UNIV JOINT YOKE	1	-
20	27509	AXLE YOKE	1	-
21	00A1028	WASHER DRIVE PINION NUT	1	-
22	0502EA2980N	FLANGE NYLOCK NUT LTV	1	-
-	-	-	-	-
-	-	-	-	-
-	-	-	-	-
-	-	-	-	-
-	-	-	-	-
-	-	-	-	-
-	-	-	-	-
-	-	-	-	-
-	-	-	-	-
-	-	-	-	-
-	-	-	-	-
-	-	-	-	-
-	-	-	-	-
-	-	-	-	-
-	-	-	-	-
-	-	-	-	-
-	-	-	-	-
-	-	-	-	-
-	-	-	-	-
-	-	-	-	-
-	-	-	-	-
-	-	-	-	-
-	-	-	-	-



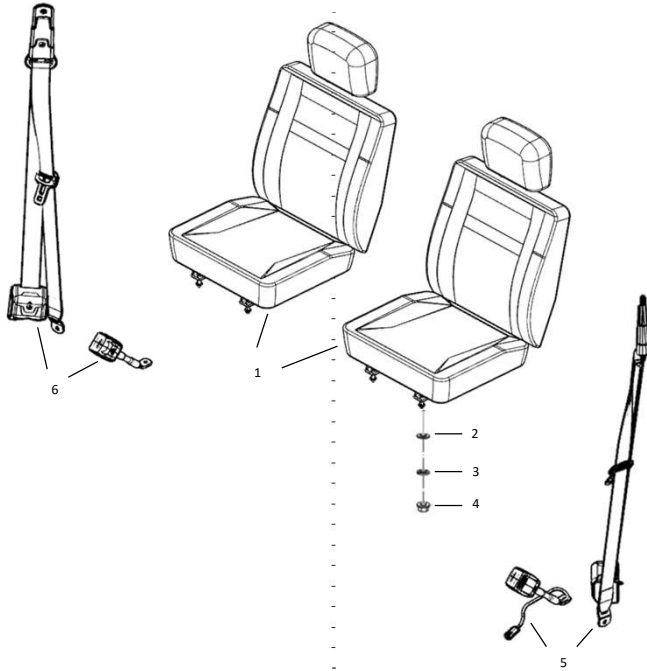








SEATS AND BELTS



1	0110AAD00570N	SEAT ASSEMBLY	2	-
2	SF0401102	WASHER PLAIN G9.5X22.23X2.13	8	-
3	6508212	WASHER - SPRING M8	8	-
4	SF0301009	NUT - HEX M8X1.25XX6.5X8XZN	8	-
5	0120AUA00051N	KIT LH BUCKLE ASSY	1	-
6	0120AUA00061N	KIT RH BUCKLE ASSY	1	-









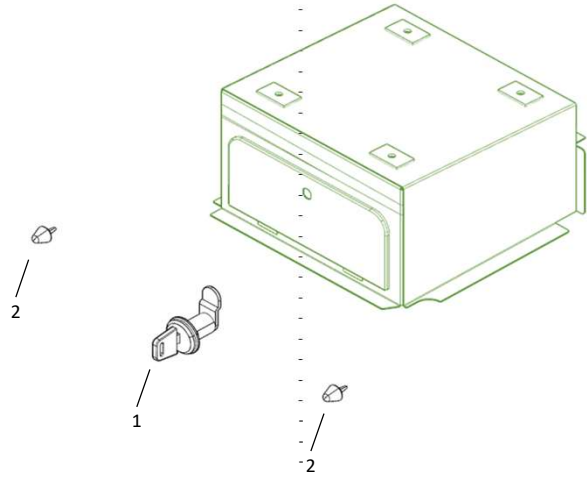








TOOLBOX



1 0114AAD00211N  
2 0664836

KIT - LOCK SET  
BUMPER - GLOVE / TOOL BOX LID

1  
2



BADGES AND DECALS



1



2



3

2

- 1 2302GUA01490N
- 2 2302GUA01540N
- 3 2302GUA01500N

- BADGE - ROXOR
- DECAL - TURBO DIESEL
- DECAL - LARGE MAHINDRA

- 2
- 2
- 1





BADGES AND DECALS



1



2



3

2

- 1 2302GUA01490N
- 2 2302GUA01540N
- 3 2302GUA01500N

- BADGE - ROXOR
- DECAL - TURBO DIESEL
- DECAL - LARGE MAHINDRA

- 2
- 2
- 1





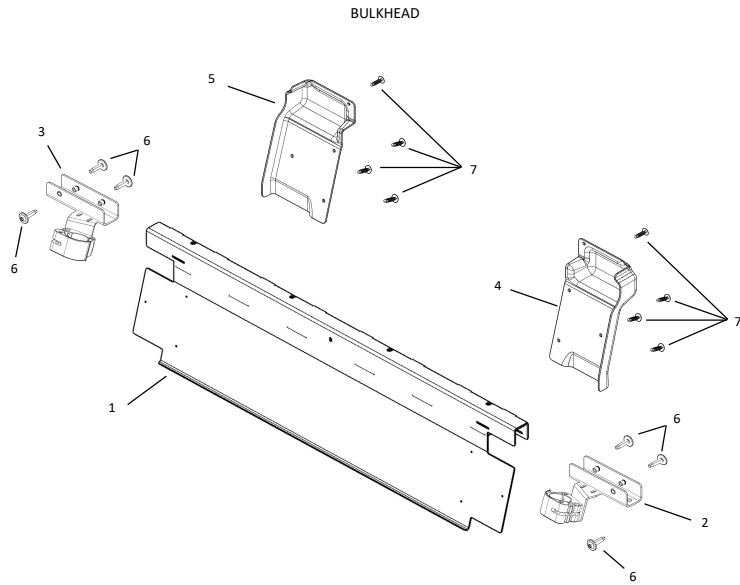






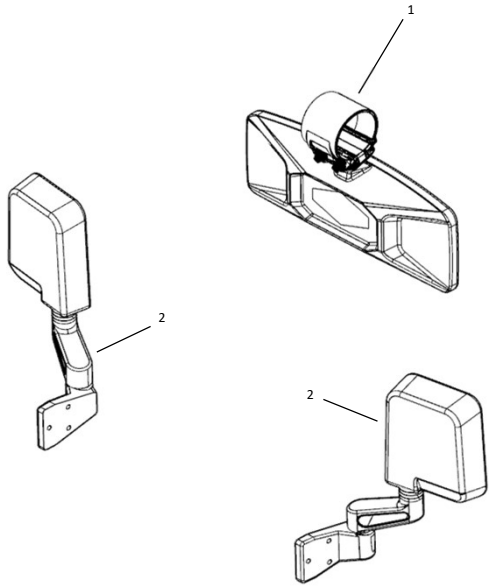






1	1902AAA00061N	ASSEMBLY-BULKHEAD LOWER	1	-
2	1902AAA01681N	ASSEMBLY BULKHEAD LWR SLIDER L	1	-
3	1902AAA01671N	ASSEMBLY BULKHEAD LWR SLIDER R	1	-
4	1902AAA01901N	PANEL LOWER BKHD L	1	-
5	1902AAA01911N	PANEL LOWER BKHD R	1	-
6	0000AUAD1131N	BOLT M6X25 ROUND WASHER HD	6	-
7	0000AUAD2451N	TREE PLASTIC 5.79 HOLE 27 LONG	8	-
8	0107DUAA00031N	SEALANT - 300ML CARTRIDGE	AR	not pictured
9	-	-	-	-
10	-	-	-	-
11	-	-	-	-
12	-	-	-	-
13	-	-	-	-
14	-	-	-	-
15	-	-	-	-
16	-	-	-	-
17	-	-	-	-
18	-	-	-	-
19	-	-	-	-
20	-	-	-	-
21	-	-	-	-
22	-	-	-	-
23	-	-	-	-
24	-	-	-	-
25	-	-	-	-
26	-	-	-	-
27	-	-	-	-
28	-	-	-	-
29	-	-	-	-
30	-	-	-	-
31	-	-	-	-
32	-	-	-	-
33	-	-	-	-
34	-	-	-	-
35	-	-	-	-
36	-	-	-	-
37	-	-	-	-
38	-	-	-	-
39	-	-	-	-
40	-	-	-	-
41	-	-	-	-
42	-	-	-	-
43	-	-	-	-
44	-	-	-	-
45	-	-	-	-
46	-	-	-	-
47	-	-	-	-
48	-	-	-	-
49	-	-	-	-
50	-	-	-	-

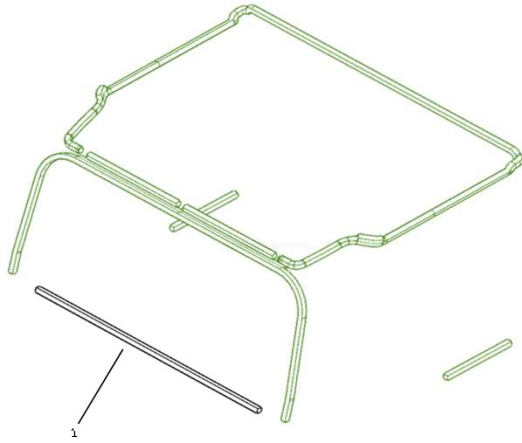
MIRRORS



1	0109AUA00011N	MIRROR ASSY IRVM	1	-
2	2302CUA00241N	SIDE MIRROR KIT - L & R	1	-
3	-	-	-	-
4	-	-	-	-
5	-	-	-	-
6	-	-	-	-
7	-	-	-	-
8	-	-	-	-
9	-	-	-	-
10	-	-	-	-
11	-	-	-	-
12	-	-	-	-
13	-	-	-	-
14	-	-	-	-
15	-	-	-	-
16	-	-	-	-
17	-	-	-	-
18	-	-	-	-
19	-	-	-	-
20	-	-	-	-
21	-	-	-	-
22	-	-	-	-
23	-	-	-	-
24	-	-	-	-
25	-	-	-	-
26	-	-	-	-
27	-	-	-	-
28	-	-	-	-
29	-	-	-	-
30	-	-	-	-
31	-	-	-	-
32	-	-	-	-
33	-	-	-	-
34	-	-	-	-
35	-	-	-	-
36	-	-	-	-
37	-	-	-	-
38	-	-	-	-
39	-	-	-	-
40	-	-	-	-
41	-	-	-	-
42	-	-	-	-
43	-	-	-	-
44	-	-	-	-
45	-	-	-	-
46	-	-	-	-
47	-	-	-	-
48	-	-	-	-
49	-	-	-	-
50	-	-	-	-



CABIN SEALS



1	0107AJUA00031N	FOAM WINDSHIELD TO ROPS	10	CUT TO FIT
2	-	-	-	-
3	-	-	-	-
4	-	-	-	-
5	-	-	-	-
6	-	-	-	-
7	-	-	-	-
8	-	-	-	-
9	-	-	-	-
10	-	-	-	-
11	-	-	-	-
12	-	-	-	-
13	-	-	-	-
14	-	-	-	-
15	-	-	-	-
16	-	-	-	-
17	-	-	-	-
18	-	-	-	-
19	-	-	-	-
20	-	-	-	-
21	-	-	-	-
22	-	-	-	-
23	-	-	-	-
24	-	-	-	-
25	-	-	-	-
26	-	-	-	-
27	-	-	-	-
28	-	-	-	-
29	-	-	-	-
30	-	-	-	-
31	-	-	-	-
32	-	-	-	-
33	-	-	-	-
34	-	-	-	-
35	-	-	-	-
36	-	-	-	-
37	-	-	-	-
38	-	-	-	-
39	-	-	-	-
40	-	-	-	-
41	-	-	-	-
42	-	-	-	-
43	-	-	-	-
44	-	-	-	-
45	-	-	-	-
46	-	-	-	-
47	-	-	-	-
48	-	-	-	-
49	-	-	-	-
50	-	-	-	-



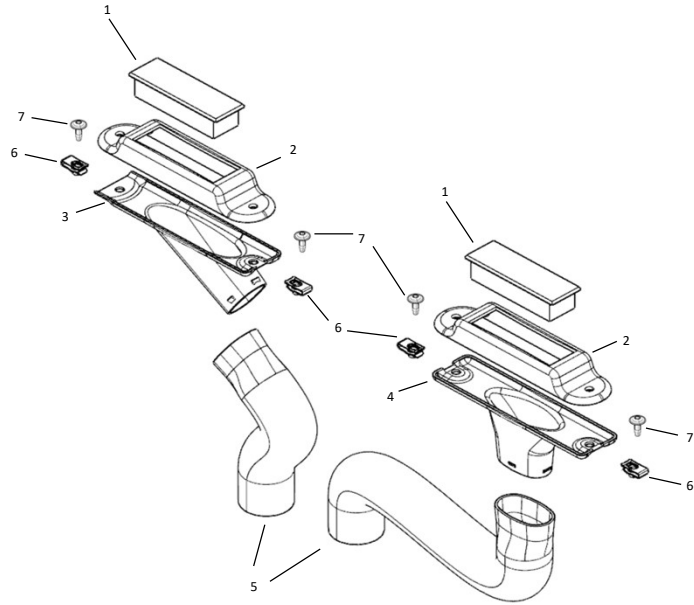






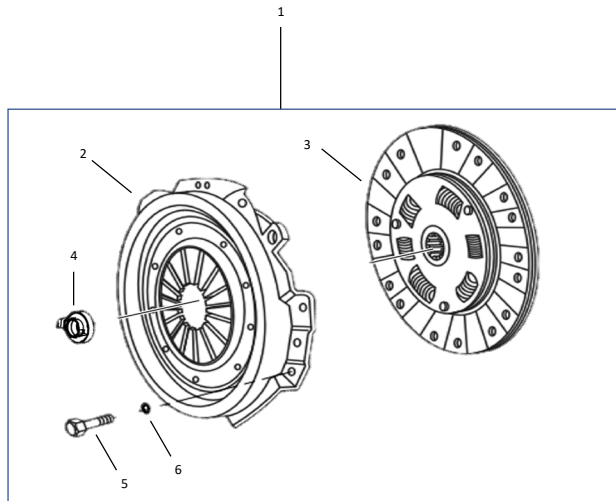


HVAC DEFROST



1	1203UA00381N	GRILLE - REGISTER (mahindra to ADD our part)	2	-
2	1202CUA00161N	COVER - REGISTER	2	-
3	1202CUA00131N	DUCT - DEFROST LH	1	-
4	1202CUA00141N	DUCT - DEFROST RH	1	cut hose
5a	317105	HOSE - DEFROST 5 foot piece (2" ID)	2	cut hose
6	0000AJA00411N	NUT U M6	4	-
7	0000AJA00061N	SCREW -M6X1X19-TORX-LARGE CROWN WA	4	-
-	-	-	-	-
-	-	-	-	-
-	-	-	-	-
-	-	-	-	-
-	-	-	-	-
-	-	-	-	-
-	-	-	-	-
-	-	-	-	-
-	-	-	-	-
-	-	-	-	-
-	-	-	-	-
-	-	-	-	-
-	-	-	-	-
-	-	-	-	-
-	-	-	-	-
-	-	-	-	-
-	-	-	-	-
-	-	-	-	-
-	-	-	-	-
-	-	-	-	-
-	-	-	-	-
-	-	-	-	-
-	-	-	-	-
-	-	-	-	-
-	-	-	-	-
-	-	-	-	-
-	-	-	-	-
-	-	-	-	-
-	-	-	-	-
-	-	-	-	-
-	-	-	-	-
-	-	-	-	-
-	-	-	-	-
-	-	-	-	-
-	-	-	-	-
-	-	-	-	-
-	-	-	-	-
-	-	-	-	-
-	-	-	-	-
-	-	-	-	-
-	-	-	-	-
-	-	-	-	-
-	-	-	-	-
-	-	-	-	-
-	-	-	-	-
-	-	-	-	-
-	-	-	-	-
-	-	-	-	-
-	-	-	-	-
-	-	-	-	-
-	-	-	-	-

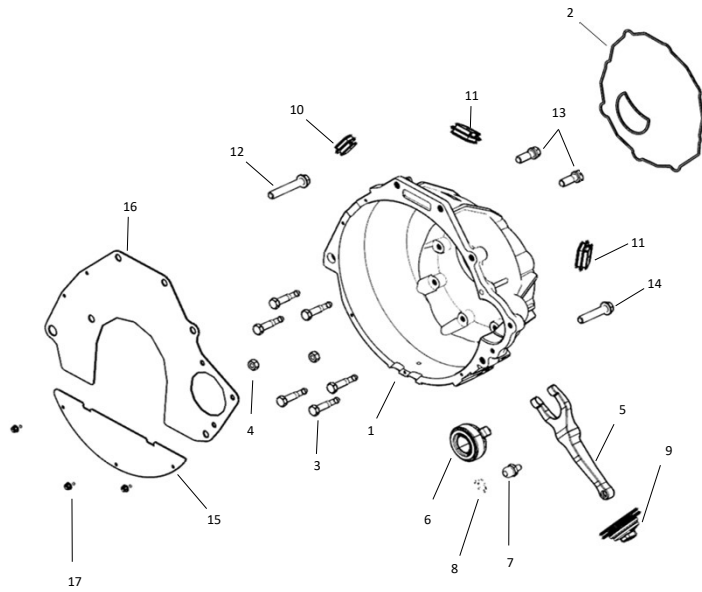
CLUTCH



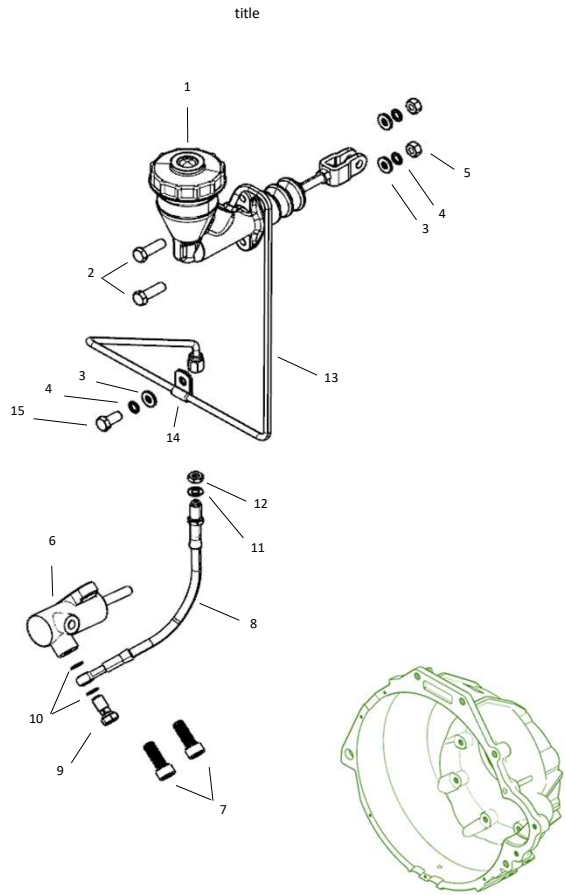
1	0802AUA00010N	CLUTCH KIT consist of ITEMS 2-6	1	-
2	0801CA0032N	CLUTCH COVER ASSEMBLY	1	-
3	0801BA0285N	CLUTCH PLATE ASSEMBLY	1	-
4	0802CAA03740N	CLUTCH RELEASE BEARING	1	-
5	SF0103054	BOLT HEX HD M8X1.25X20 WITH WASHER	6	-
6	6508212	LOCK WASHER SPRING M8	6	-
7	-	-	-	-
8	-	-	-	-
9	-	-	-	-
10	-	-	-	-
11	-	-	-	-
12	-	-	-	-
13	-	-	-	-
14	-	-	-	-
15	-	-	-	-
16	-	-	-	-
17	-	-	-	-
18	-	-	-	-
19	-	-	-	-
20	-	-	-	-
21	-	-	-	-
22	-	-	-	-
23	-	-	-	-
24	-	-	-	-
25	-	-	-	-
26	-	-	-	-
27	-	-	-	-
28	-	-	-	-
29	-	-	-	-
30	-	-	-	-
31	-	-	-	-
32	-	-	-	-
33	-	-	-	-
34	-	-	-	-
35	-	-	-	-
36	-	-	-	-
37	-	-	-	-
38	-	-	-	-
39	-	-	-	-
40	-	-	-	-
41	-	-	-	-
42	-	-	-	-
43	-	-	-	-
44	-	-	-	-
45	-	-	-	-
46	-	-	-	-
47	-	-	-	-
48	-	-	-	-
49	-	-	-	-
50	-	-	-	-



CLUTCH HOUSING



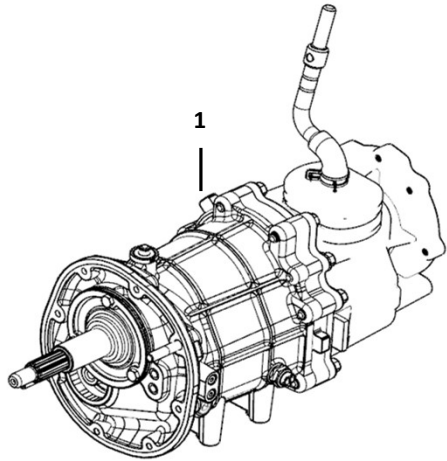
1	0801AAA00960N	CLUTCH HOUSING	1	-
2	0701BUA00121N	FLANGE SEALANT LT574 (50ML)	as required	-
3	0067981	BOLT SPECIAL M10X1.5X56	6	-
4	7903032099	NUT HEX M10X1.5	2	-
5	0802CA1770N	CLUTCH RELEASE FORK	1	-
6	0802CAA03740N	CLUTCH RELEASE BEARING	1	-
7	0802CA0890N	BALL STUD	1	-
8	0802CA0710N	CLIP	1	-
9	0801AA0660N	GROMMET CLUTCH RELEASE FORK	1	-
10	0801AUJA00111N	PLUG HALF CAP	1	-
11	0801AUJA00101N	PLUG CAP	2	-
12	SF0102017	FLANGE BOLT M12X1.5X80X8.8PH	1	-
13	0024632	FLANGE BOLT M12X1.5X35X8.8PH	2	-
14	SF0102016	FLANGE BOLT M12X1.5X65X8.8PH	1	-
15	0024601	COVER PLATE CLUTCH HSG BOTTOM	1	-
16	0024603	COVER PLATE CLUTCH HSG TOP	1	-
17	0024615	FLANGE BOLT M6X1X12	3	-
18	-	-	-	-
19	-	-	-	-
20	-	-	-	-
21	-	-	-	-
22	-	-	-	-
23	-	-	-	-
24	-	-	-	-
25	-	-	-	-
26	-	-	-	-
27	-	-	-	-
28	-	-	-	-
29	-	-	-	-
30	-	-	-	-
31	-	-	-	-
32	-	-	-	-
33	-	-	-	-
34	-	-	-	-
35	-	-	-	-
36	-	-	-	-
37	-	-	-	-
38	-	-	-	-
39	-	-	-	-
40	-	-	-	-
41	-	-	-	-
42	-	-	-	-
43	-	-	-	-
44	-	-	-	-
45	-	-	-	-
46	-	-	-	-
47	-	-	-	-
48	-	-	-	-
49	-	-	-	-
50	-	-	-	-



3

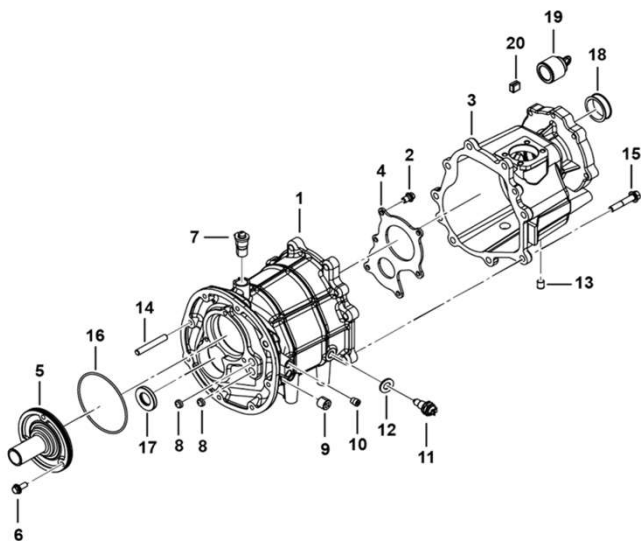
1	0802CUA00081N	MASTER CYLINDER ASSY	1	-
2	SF0201085	SCREW HEX M8X1.25X30X8.8	2	-
3	SF0401012	WASHER PLAIN M8X16X1.5XZN5	3	-
4	SF0402008	WASHER SPRING L M8X14.8X2XZN5	3	-
5	SF0301009	NUT HEX M8X1.25X6.5X8XZN	2	-
6	0802CA0861N	SLAVE CYLINDER ASSY	1	-
7	08010A0030N	BOLT M10X1.5X30XZn (ALLEN 8MM)	2	-
8	0802CAA06670N	FLEX HOSE	1	-
9	75613	BANJO BOLT	1	-
10	0011642	SEAL - CU 10X15X1.2 (ASBESTOS FREE)	2	-
11	0011644	LOCK WASHER SPECIAL	1	-
12	SF0301086	LOCK NUT M10X1.0X5	2	-
13	0802CAA6620N	TUBE	2	-
14	0802CUA00031N	TUBE STRAP	1	-
15	SF0201083	SCREW HEX M8X1.25X20X8.8	1	-
16	-	-	-	-
17	-	-	-	-
18	-	-	-	-
19	-	-	-	-
20	-	-	-	-
21	-	-	-	-
22	-	-	-	-
23	-	-	-	-
24	-	-	-	-
25	-	-	-	-
26	-	-	-	-
27	-	-	-	-
28	-	-	-	-
29	-	-	-	-
30	-	-	-	-
31	-	-	-	-
32	-	-	-	-
33	-	-	-	-
34	-	-	-	-
35	-	-	-	-
36	-	-	-	-
37	-	-	-	-
38	-	-	-	-
39	-	-	-	-
40	-	-	-	-
41	-	-	-	-
42	-	-	-	-
43	-	-	-	-
44	-	-	-	-
45	-	-	-	-
46	-	-	-	-
47	-	-	-	-
48	-	-	-	-
49	-	-	-	-
50	-	-	-	-

MT TRANSMISSION



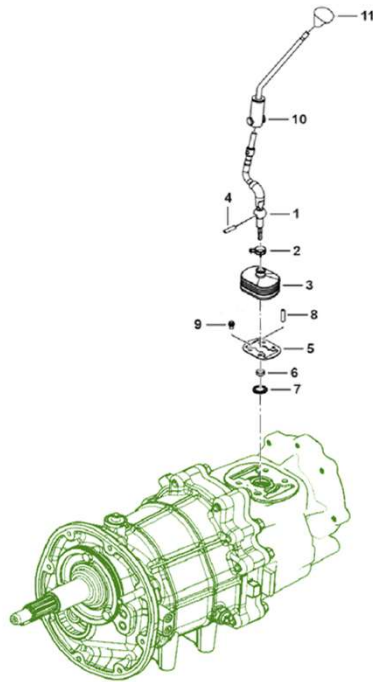
1	0703AAD06540N	TRANSMISSION ASSEMBLY 4WD LHD	-	-
2	-	-	-	-
3	-	-	-	-
4	-	-	-	-
5	-	-	-	-
6	-	-	-	-
7	-	-	-	-
8	-	-	-	-
9	-	-	-	-
10	-	-	-	-
11	-	-	-	-
12	-	-	-	-
13	-	-	-	-
14	-	-	-	-
15	-	-	-	-
16	-	-	-	-
17	-	-	-	-
18	-	-	-	-
19	-	-	-	-
20	-	-	-	-
21	-	-	-	-
22	-	-	-	-
23	-	-	-	-
24	-	-	-	-
25	-	-	-	-
26	-	-	-	-
27	-	-	-	-
28	-	-	-	-
29	-	-	-	-
30	-	-	-	-
31	-	-	-	-
32	-	-	-	-
33	-	-	-	-
34	-	-	-	-
35	-	-	-	-
36	-	-	-	-
37	-	-	-	-
38	-	-	-	-
39	-	-	-	-
40	-	-	-	-
41	-	-	-	-
42	-	-	-	-
43	-	-	-	-
44	-	-	-	-
45	-	-	-	-
46	-	-	-	-
47	-	-	-	-
48	-	-	-	-
49	-	-	-	-
50	-	-	-	-

MT HOUSING



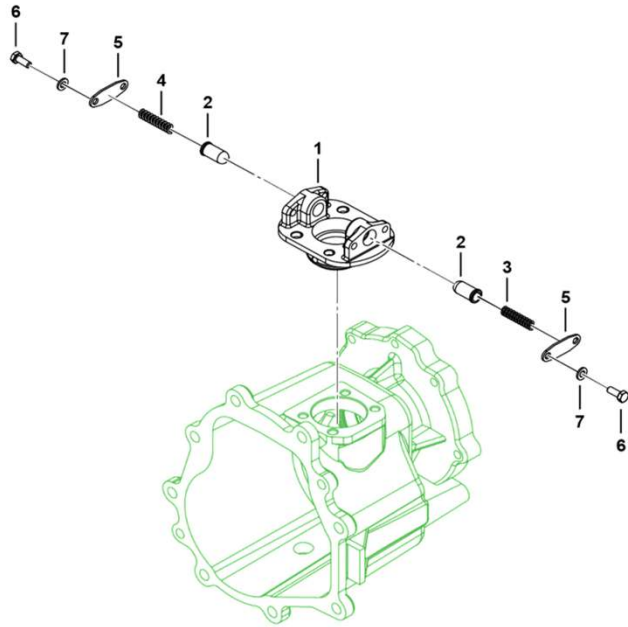
1	0703BD0450N	ASSEMBLY FRONT HOUSING INT PLATE	1	-
2	024626	FLANGE BOLT M8 x 1.25 - 20	6	-
3	0703BD0530N	REAR HOUSING 4WD NG520	1	-
4	0703BD0440N	BEARING RETAINER PLATE	1	-
5	0703BD1000N	CLUTCH RELEASE BRG SLEEVE	1	-
6	SF0202108	SCREW HEX FL SL M8X1.25X20X10.9	3	-
7	0703BD0980N	BREATHER	1	-
8	0703BD0480N	RAIL END SEALING CAP	2	-
9	0502DA0360N	FILLER PLUG	1	-
10	7903075044	PLUG M12 x 1.25 (POPPET PLUG)	3	-
11	0703CD0920N	REVERSE CONTACT SWITCH	1	-
12	7903062030	SEAL REV LAMP SWITCH	1	-
13	0502DA0370N	DRAIN PLUG	1	-
14	0703CA0251N	DOWEL	2	-
15	0703CA0271N	HEX FLANGE BOLT M10 x 1.5 - 55	10	-
16	0502CA0430N	O RING	1	-
17	0703DAD07400N	OIL SEAL INPUT GEAR TRANSMISSION	1	-
18	0703DD2810N	OIL DEFLECTOR REAR HSG	1	-
19	0703BAD02100N	SEAL HOUSING REAR	1	-
20	0703BAD02230N	CAP PROTECTIVE FOR REV LAMP SWITCH TM	1	-
21	-	-	-	-
22	-	-	-	-
23	-	-	-	-
24	-	-	-	-
25	-	-	-	-
26	-	-	-	-
27	-	-	-	-
28	-	-	-	-
29	-	-	-	-
30	-	-	-	-
31	-	-	-	-
32	-	-	-	-
33	-	-	-	-
34	-	-	-	-
35	-	-	-	-
36	-	-	-	-
37	-	-	-	-
38	-	-	-	-
39	-	-	-	-
40	-	-	-	-
41	-	-	-	-
42	-	-	-	-
43	-	-	-	-
44	-	-	-	-
45	-	-	-	-
46	-	-	-	-
47	-	-	-	-
48	-	-	-	-
49	-	-	-	-
50	-	-	-	-

MT TRANSMISSION SHIFT LEVER



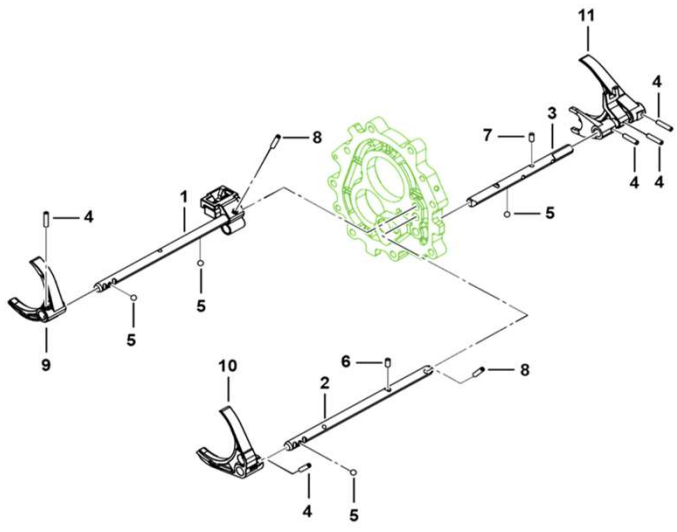
1	0706AAD02820N	BOTTOM LEVER	1	-
2	SF0705020	CLAMP SPRING BAND 27X12X1.5	1	-
3	0703BD0940N	GROMMET SHIFT LEVER	1	-
4	0092658	PIVOT PIN	2	-
5	0703CD1000N	PLATE PIVOT SPRING RETENTION	1	-
6	0703CD1100N	SPRING SHIFT LEVER	1	-
7	0703CD1140N	BUSH PIVOT GEAR SHIFT NGT520	1	-
8	7903067078	PIN	1	-
9	SF0102006	BOLT HEX FL M8X1.25X40X8.8XZN	3	-
10	0706AAD02590N	LEVER ASSY GEAR SHIFT TOP	1	-
11	0706AA0160N	KNOB GEAR SHIFT	1	-
12	-	-	-	-
13	-	-	-	-
14	-	-	-	-
15	-	-	-	-
16	-	-	-	-
17	-	-	-	-
18	-	-	-	-
19	-	-	-	-
20	-	-	-	-
21	-	-	-	-
22	-	-	-	-
23	-	-	-	-
24	-	-	-	-
25	-	-	-	-
26	-	-	-	-
27	-	-	-	-
28	-	-	-	-
29	-	-	-	-
30	-	-	-	-
31	-	-	-	-
32	-	-	-	-
33	-	-	-	-
34	-	-	-	-
35	-	-	-	-
36	-	-	-	-
37	-	-	-	-
38	-	-	-	-
39	-	-	-	-
40	-	-	-	-
41	-	-	-	-
42	-	-	-	-
43	-	-	-	-
44	-	-	-	-
45	-	-	-	-
46	-	-	-	-
47	-	-	-	-
48	-	-	-	-
49	-	-	-	-
50	-	-	-	-

MT SELECTION BIASING



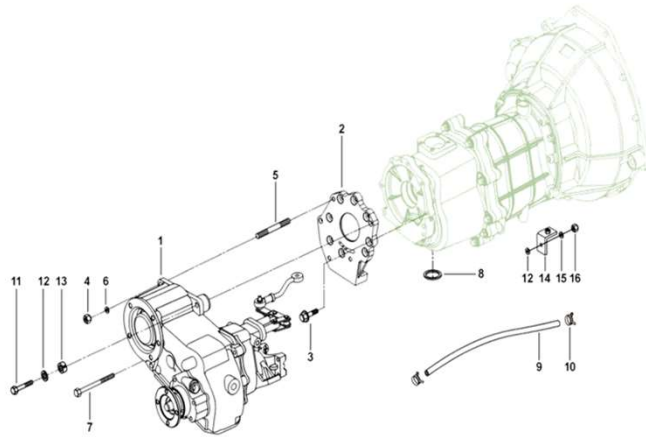
1	0703BD0950N	ADAPTOR PIVOT NGT530R	1	-
2	0703CD1010N	PLUNGER RETURN	2	-
3	0703CD1230N	SELECTION SPRING 5TH REV	1	-
4	0703CD1080N	BIASING SPRING 1ST & 2ND	1	-
5	0703D0310N	SIDE COVER PLATE	2	-
6	SF0201119	SCREW HEX M6X1X16X8.8	4	-
7	SF0401004	WASHER PLAIN M6X12.5X1.6XZN5	4	-
8	-	-	-	-
9	-	-	-	-
10	-	-	-	-
11	-	-	-	-
12	-	-	-	-
13	-	-	-	-
14	-	-	-	-
15	-	-	-	-
16	-	-	-	-
17	-	-	-	-
18	-	-	-	-
19	-	-	-	-
20	-	-	-	-
21	-	-	-	-
22	-	-	-	-
23	-	-	-	-
24	-	-	-	-
25	-	-	-	-
26	-	-	-	-
27	-	-	-	-
28	-	-	-	-
29	-	-	-	-
30	-	-	-	-
31	-	-	-	-
32	-	-	-	-
33	-	-	-	-
34	-	-	-	-
35	-	-	-	-
36	-	-	-	-
37	-	-	-	-
38	-	-	-	-
39	-	-	-	-
40	-	-	-	-
41	-	-	-	-
42	-	-	-	-
43	-	-	-	-
44	-	-	-	-
45	-	-	-	-
46	-	-	-	-
47	-	-	-	-
48	-	-	-	-
49	-	-	-	-
50	-	-	-	-

MT SHIFT RAIL AND FORKS



1	0703CAD03420N	RAIL ASSY 1ST & 2ND	1	-
2	0703CAD03430N	RAIL ASSY 3RD & 4TH	1	-
3	0703CD1770N	RAIL FORK ASSY 5TH REV STRUT	1	-
4	0052763	PIN SPRING	1	-
5	0052359	STEEL BALL	4	-
6	0703CD1060N	INTERLOCK PIN 4X12	1	-
7	7836174000	INTERLOCK FINGER	1	-
8	0703CD0131N	ROLL PIN 6-20	2	-
9	0703CAD02640N	SHIFT FORK 1ST & 2ND INA NGT530R	1	-
10	0703CAD02650N	SHIFT FORK 3RD & 4TH INA NGT530R	1	-
11	0703CD1260N	FORK 5TH GEAR STRUT TYPE	1	-
12	0703CAD03360N	DETENT SPRING 5TH STRUT TYPE	3	not pictured
13	7903075044	PLUG M12 X 1.25	3	not pictured
14	-	-	-	-
15	-	-	-	-
16	-	-	-	-
17	-	-	-	-
18	-	-	-	-
19	-	-	-	-
20	-	-	-	-
21	-	-	-	-
22	-	-	-	-
23	-	-	-	-
24	-	-	-	-
25	-	-	-	-
26	-	-	-	-
27	-	-	-	-
28	-	-	-	-
29	-	-	-	-
30	-	-	-	-
31	-	-	-	-
32	-	-	-	-
33	-	-	-	-
34	-	-	-	-
35	-	-	-	-
36	-	-	-	-
37	-	-	-	-
38	-	-	-	-
39	-	-	-	-
40	-	-	-	-
41	-	-	-	-
42	-	-	-	-
43	-	-	-	-
44	-	-	-	-
45	-	-	-	-
46	-	-	-	-
47	-	-	-	-
48	-	-	-	-
49	-	-	-	-
50	-	-	-	-

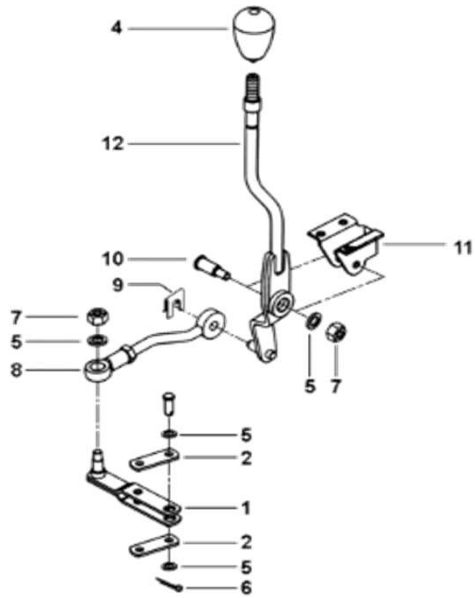
TRANSFER CASE



1	0703AAA00810N	TM TF ASSY NGT520 4WD V4	1	-
2	0703BD0500N	ADAPTOR PLATE T18 4WD	1	-
3	24630	BOLT FLANGED M10 x 1.5 - 25	8	-
4	0052099	NUT HEX M12 x 1.5	2	-
5	52098	STUD M12	2	-
6	52385	WASHER SPRING M12	3	-
7	52323	BOLT HEX HD M12 x 1.45	1	-
8	90846	O' RING	1	-
9	76852	TUBE BREATHER	1	-
10	75764	CLAMP BREATHER TUBE	2	-
11	7903201048	BOLT HEX HD M10 x 1.5 - 35	2	-
12	SF0402011	WASHER SPRING L M10X18.1X2.2XZN5	2	-
13	SF0903002	PIN SPRING DOWEL 14X1.5X15	2	-
14	29464	TF CASE BREATHER WITH L BRKT	1	-
15	SF0402008	WASHER SPRING L M8X14.8X2XZN5	8	-
16	SF0301009	NUT HEX M8X1.25X6.5X8XZN	8	-
17	-	-	-	-
18	-	-	-	-
19	-	-	-	-
20	-	-	-	-
21	-	-	-	-
22	-	-	-	-
23	-	-	-	-
24	-	-	-	-
25	-	-	-	-
26	-	-	-	-
27	-	-	-	-
28	-	-	-	-
29	-	-	-	-
30	-	-	-	-
31	-	-	-	-
32	-	-	-	-
33	-	-	-	-
34	-	-	-	-
35	-	-	-	-
36	-	-	-	-
37	-	-	-	-
38	-	-	-	-
39	-	-	-	-
40	-	-	-	-
41	-	-	-	-
42	-	-	-	-
43	-	-	-	-
44	-	-	-	-
45	-	-	-	-
46	-	-	-	-
47	-	-	-	-
48	-	-	-	-
49	-	-	-	-
50	-	-	-	-



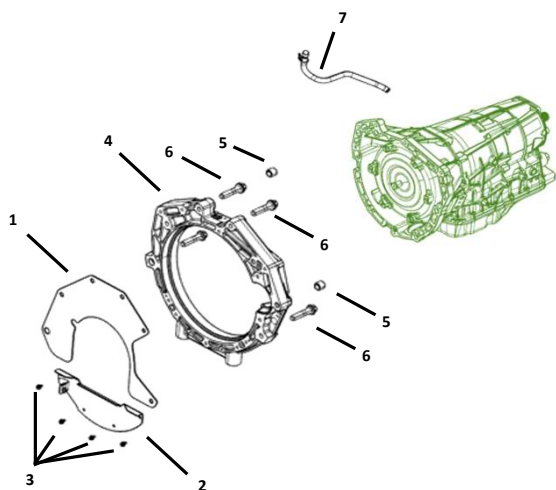
TRANSFER CASE SHIFT LEVER



1	0703CA0300N	TF OPERATING LEVER ASSY T18 NGT520	1	-
2	00924338	SHIFT LEVER LINK	2	-
3	0084777	BUSHING SPRING	?	not pictured
4	0069096	KNOB T/F CASE LEVER	1	-
5	SF0401012	WASHER PLAIN M8	5	-
6	G119117	COTTER PIN 2.38 x 12MM	2	-
7	0069029	NUT NYLOC M8 x 1	2	-
8	0706CD0030N	ASSY LINK COMP T/F SHIFT COMPLETE	1	-
9	7903066059	CLIP	1	-
10	0069089	SPECIAL BOLT	1	-
11	0068605	ASSY BRKT PIVOT T/F LEVER	1	-
12	0706CA0610N	GEAR CHANGE LEVER ASSY T/F	1	-
13	0070882	CLEVIS PIN-HANDBRAKE LATCHTOLE	1	-
14	6108212C	WASHER - M8 x 17 x 1.6	2	-
15	-	-	-	-
16	-	-	-	-
17	-	-	-	-
18	-	-	-	-
19	-	-	-	-
20	-	-	-	-
21	-	-	-	-
22	-	-	-	-
23	-	-	-	-
24	-	-	-	-
25	-	-	-	-
26	-	-	-	-
27	-	-	-	-
28	-	-	-	-
29	-	-	-	-
30	-	-	-	-
31	-	-	-	-
32	-	-	-	-
33	-	-	-	-
34	-	-	-	-
35	-	-	-	-
36	-	-	-	-
37	-	-	-	-
38	-	-	-	-
39	-	-	-	-
40	-	-	-	-
41	-	-	-	-
42	-	-	-	-
43	-	-	-	-
44	-	-	-	-
45	-	-	-	-
46	-	-	-	-
47	-	-	-	-
48	-	-	-	-
49	-	-	-	-
50	-	-	-	-



TRANSMISSION TO ENGINE ADAPTATION – A/T



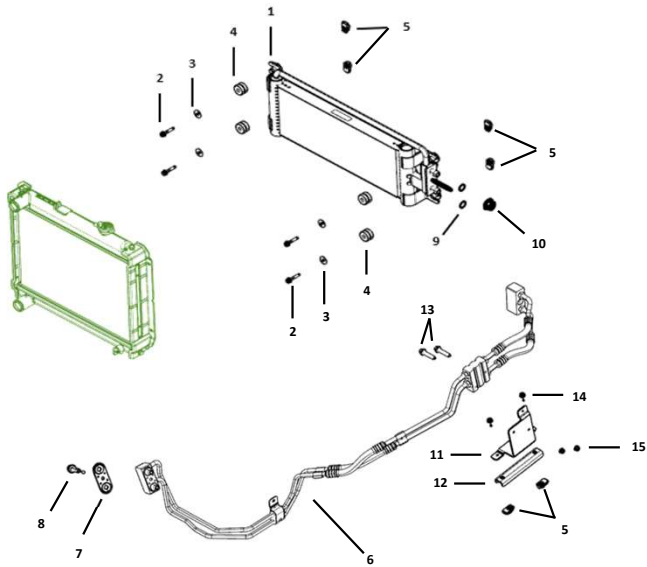
1	0701BUA00091N	DUST SHIELD UPPER	1	-
2	0705AUA00071N	DUST SHIELD LOWER	1	-
3	0000AUA00781N	BOLT M6X1X10 HEX FLANGE	4	-
4	0701AAJ01381N	ADAPTER ENG TRANS DSEL AUTO	1	-
5	0701AUA00121N	DOWEL AT	2	-
6	0000AUA01401N	BOLT M12X1.5X65 HEX FLANGE	4	-
7	0000AUA01181N	WASHER M12 FLAT	2	-
-	0000AUA01261N	BOLT M10X56 HEX FLANGE M POINT	9	-
-	0705AAJ00161N	GEAR SHIFTER TRANS BRACKET KIT	1	-
-	0701AUA00051N	TUBE BREATHER AT	1	-
-	0091413	CAP AIR BREATHER	1	-
-	0701AUA00061N	CLIP - BREATHER TUBE	1	-
-	0701BUA00071N	COVER PLATE BELL HOUSING BOTTOM	1	-
-	0000AUA00781N	BOLT HEX FL M6X1X12	3	-
-	03090C0231N	SENSOR ENGINE SPEED	1	-
-	0000AUA01271N	BOLT M6X15 PAN HEAD	2	-
-	-	-	-	-
-	-	-	-	-
-	-	-	-	-
-	-	-	-	-
-	-	-	-	-
-	-	-	-	-
-	-	-	-	-
-	-	-	-	-
-	-	-	-	-
-	-	-	-	-
-	-	-	-	-
-	-	-	-	-
-	-	-	-	-
-	-	-	-	-
-	-	-	-	-
-	-	-	-	-
-	-	-	-	-
-	-	-	-	-
-	-	-	-	-
-	-	-	-	-
-	-	-	-	-
-	-	-	-	-
-	-	-	-	-
-	-	-	-	-
-	-	-	-	-
-	-	-	-	-
-	-	-	-	-
-	-	-	-	-
-	-	-	-	-
-	-	-	-	-
-	-	-	-	-
-	-	-	-	-
-	-	-	-	-
-	-	-	-	-
-	-	-	-	-
-	-	-	-	-







TRANSMISSION OIL COOLER - A/T



1	0702AUAA00021N	TRANSMISSION COOLER AT	1	-
2	0000AUAA01511N	BOLT M6X1x30 HEX FLANGE	4	-
3	0000AUAA01531N	WASHER - M6	4	-
4	TBD	GROMMET	4	-
5	0000AUAA00411N	U-NUT M6	4	-
6	0702BAK00111N	LINE ASSY - TRANSMISSION OIL COOLER	1	-
7	TBD	SEAL - BLOCK TO TRANSMISSION	1	-
8	0000AUAA01481N	BOLT - M8X50 HEX FLANGE	1	-
9	TBD	SEAL - BLOCK TO COOLER	2	-
10	0000AUAA01491N	NUT - M8 HEX FLANGE	1	-
11	0304AAB01271N	BRACKET - THERMAL BYPASS VALVE	1	-
12	0702AUAA00071N/	BRACKET TOC TO FRAME - LOWER	1	-
13	0000AUAA02201N	BOLT - M6X1x40 HEX	2	-
14	0000AUAA00711N	BOLT - M6X1x16 HEX FLANGE	2	-
15	SF0318016	NUT - HXFL PT M6X1X10X8	2	-
-	-	-	-	-
-	-	-	-	-
-	-	-	-	-
-	-	-	-	-
-	-	-	-	-
-	-	-	-	-
-	-	-	-	-
-	-	-	-	-
-	-	-	-	-
-	-	-	-	-
-	-	-	-	-
-	-	-	-	-
-	-	-	-	-
-	-	-	-	-
-	-	-	-	-
-	-	-	-	-
-	-	-	-	-
-	-	-	-	-
-	-	-	-	-
-	-	-	-	-
-	-	-	-	-
-	-	-	-	-
-	-	-	-	-
-	-	-	-	-
-	-	-	-	-



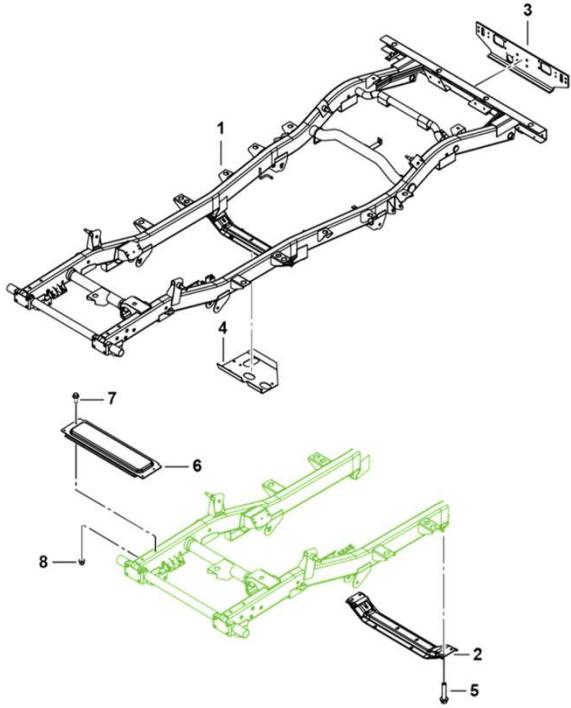








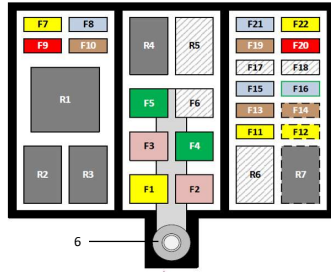
FRAME CROSS MEMBER A/T



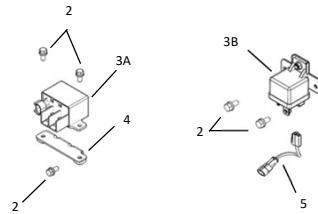
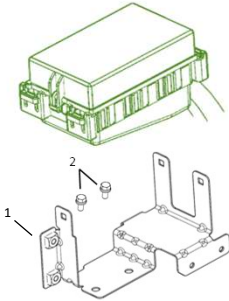
1	0201AAG03100N	FRAME ASSY COMP	1	-
2	0203AD0310N	CROSS MEMBER ASSY RR ENG SUPPORT	1	-
3	0094600	TOWING ANGLE PINTLE HOOK	1	-
4	0201BA0010N	SKID PLATE UNDER FRAME	1	-
5	SF0102031	BOLT HEX FL M10X1.5X50X8.8XZN	4	-
6	0119AAD00601N	WINCH PLATE COVER	1	-
7	0000UA00481N	BOLT M12 X 30 HEX FLANGE	4	-
8	0000UA00251N	NUT M12 NYLOC HEX FLANGE	4	-
-	-	-	-	-
-	-	-	-	-
-	-	-	-	-
-	-	-	-	-
-	-	-	-	-
-	-	-	-	-
-	-	-	-	-
-	-	-	-	-
-	-	-	-	-
-	-	-	-	-
-	-	-	-	-
-	-	-	-	-
-	-	-	-	-
-	-	-	-	-
-	-	-	-	-
-	-	-	-	-
-	-	-	-	-
-	-	-	-	-
-	-	-	-	-
-	-	-	-	-
-	-	-	-	-
-	-	-	-	-
-	-	-	-	-
-	-	-	-	-
-	-	-	-	-
-	-	-	-	-
-	-	-	-	-
-	-	-	-	-
-	-	-	-	-
-	-	-	-	-
-	-	-	-	-
-	-	-	-	-
-	-	-	-	-
-	-	-	-	-
-	-	-	-	-
-	-	-	-	-
-	-	-	-	-
-	-	-	-	-
-	-	-	-	-
-	-	-	-	-
-	-	-	-	-
-	-	-	-	-



FUSES AND RELAYS - UNDERHOOD

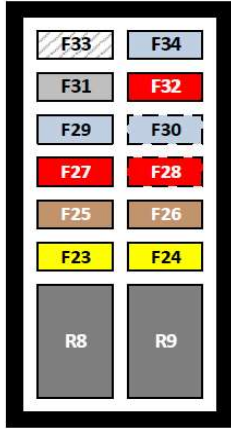


- | FUSES                      | RELAYS                     |
|----------------------------|----------------------------|
| F1 – Main PDC Fuse Feed    | R1 – Engine Auto Shut Down |
| F2 – Starter Solenoid      | R2 – Starter Solenoid      |
| F3 – EMS Auto Shut Down    | R3 – Fuel Feed Pump        |
| F4 – IP PDC MINI Fuse Feed | R4 – High Beams            |
| F5 – IP Accessories Feed   | R5 – EMPTY                 |
| F6 – EMPTY                 | R6 – EMPTY                 |
| F7 – EMS Power             | R7 – Front LED Lights      |
| F8 – Engine Accessories    |                            |
| F9 – Brake Pedal Feed      |                            |
| F10 – EMS Battery          |                            |
| F11 – High Beam            |                            |
| F12 – Front LED Lights     |                            |
| F13 – Reverse Lights       |                            |
| F14 – Front Fender Lights  |                            |
| F15 – Fuel Feed Pump       |                            |
| F16 – Auto. Transmission   |                            |
| F17 – EMPTY                |                            |
| F18 – EMPTY                |                            |
| F19 – Spare                |                            |
| F20 – Spare                |                            |
| F21 – Spare                |                            |
| F22 – Spare                |                            |



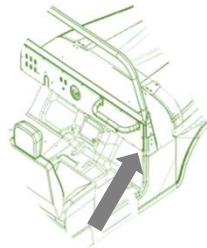
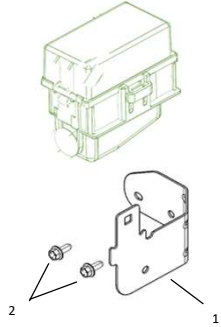
1	1801GUA00090N	MAIN FUSE BOX BRACKET	1	MY 2018-21
2	SF0103005	BOLT - COMBI M6X1X16	1	MY 22
3A	1801GUA00051N	RELAY - INTAKE AIR HEATER RELAY	1	MY 2018-21
4	1801GUA00030N	INTAKE AIR HEATER RELAY BRACKET	1	MY 2018-21
3B	1801GUA00111N	RELAY - INTAKE AIR HEATER RELAY	1	MY 2022
5	1801EUA00021N	HEATER RELAY JUMPER	4	MY 2022
6	0000AJA01631N	NUT M6 HEX FLANGE SN-ZN	4	-
F1	34620021	FL LOW BOX 30A2	1	-
F2	34320021	FL LOW BOX 30A2	1	-
F3	34320021	FL LOW BOX 30A2	1	-
F4	34420021	FL LOW BOX 40A2	1	-
F5	34420021	FL LOW BOX 40A2	1	-
F6	-	-	-	-
F7	11970001	FUSE MINI 20LO Y	1	-
F8	11960001	FUSE MINI 15LO L	1	-
F9	11950001	FUSE MINI 10LO R	1	-
F10	11930001	FUSE MINI 5LO TAN	1	-
F11	11970001	FUSE MINI 20LO Y	1	-
F12	11970001	FUSE MINI 20LO Y	1	-
F13	11930001	FUSE MINI 5LO TAN	1	-
F14	11930001	FUSE MINI 5LO TAN	1	-
F15	11960001	FUSE MINI 15LO L	1	-
F16	11960001	FUSE MINI 15LO L	1	-
F17	-	-	-	-
F18	-	-	-	-
F19	11930001	FUSE MINI 5LO TAN	1	-
F20	11950001	FUSE MINI 10LO R	1	-
F21	11960001	FUSE MINI 15LO L	1	-
F22	11970001	FUSE MINI 20LO Y	1	-
R1- R	7-1904124-4	MINI RELAY - RESISTOR SUPPRESSION	1	MY 2018
R1- D	1-1904020-5	MINI RELAY -DIODE SUPPRESSION	1	MY 2019-22
R2- R	4-1904124-4	MICRO ISO RELAY - RESISTOR SUPPRESSION	1	MY 2018
R2- D	5-1393292-8	MICRO ISO RELAY - DIODE SUPPRESSION	1	MY 2019-22
R3- R	4-1904124-4	MICRO ISO RELAY - RESISTOR SUPPRESSION	1	MY 2018
R3- D	5-1393292-8	MICRO ISO RELAY - DIODE SUPPRESSION	1	MY 2019-22
R4- R	4-1904124-4	MICRO ISO RELAY - RESISTOR SUPPRESSION	1	MY 2018
R4- D	5-1393292-8	MICRO ISO RELAY - DIODE SUPPRESSION	1	MY 2019-22
R5	EMTPY	EMPTY	-	-
R6	EMTPY	EMPTY	-	-
R7- R	4-1904124-4	MICRO ISO RELAY - RESISTOR SUPPRESSION	1	MY 2018
R7- D	5-1393292-8	MICRO ISO RELAY - DIODE SUPPRESSION	1	MY 2019-22
-	-	-	-	-
-	-	-	-	-
-	-	-	-	-
-	-	-	-	-
-	-	-	-	-
-	-	-	-	-
-	-	-	-	-
-	-	-	-	-
-	-	-	-	-
-	-	-	-	-
-	-	-	-	-
-	-	-	-	-
-	-	-	-	-

FUSES AND RELAYS - INTERIOR



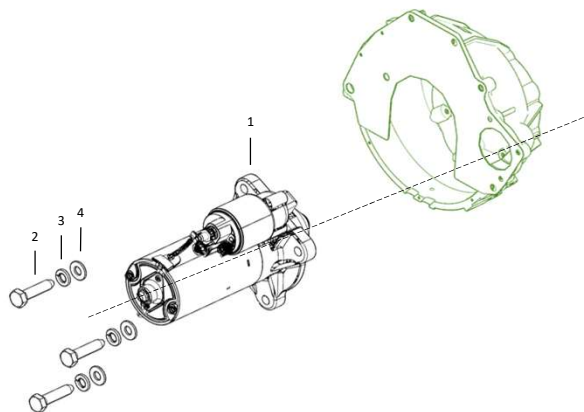
- FUSES**  
 F23 – Exterior Lighting  
 F24 – Power Outlets  
 F25 – Diagnostic Connector  
 F26 – High Beam Control  
 F27 – Key Switch  
 F28 – Side/Rear LEDs  
 F29 – Horn  
 F30 – Sound Bar  
 F31 – Instrument Gauges  
 F32 – Parking Lights  
 F33 – EMPTY  
 F34 – Low Beams

- RELAYS**  
 R8 – Exterior Lighting  
 R9 – Power Outlet



1	1801FUA00010N	BRACKET - FUSE BOX MTG	-	-
2	0000AUA00191N	SCREW - 10-24 X 0.5"	-	-
F23	11970001	FUSE MINI 20LO Y	-	-
F24	11970001	FUSE MINI 20LO Y	-	-
F25	11930001	FUSE MINI 5LO TAN	-	-
F26	11930001	FUSE MINI 5LO TAN	-	-
F27	11950001	FUSE MINI 10LO R	-	-
F28	11950001	FUSE MINI 10LO R	-	-
F29	11960001	FUSE MINI 15LO L	-	-
F30	11960001	FUSE MINI 15LO L	-	-
F31	11920001	FUSE MINI 2 LO GREY	-	-
F32	11950001	FUSE MINI 10LO R	-	-
F33	11930001	FUSE MINI 5LO TAN	-	REPLACES DIODE
F34	11960001	FUSE MINI 15LO L	-	-
R8 - R	4-1904124-4	MICRO ISO RELAY - RESISTOR SUPPRESSION	-	MY 2018
R8 - D	1-1904020-5	MINI RELAY -DIODE SUPPRESSION	-	MY 2019-22
R9 - R	4-1904124-4	MICRO ISO RELAY - RESISTOR SUPPRESSION	-	MY 2018
R9 - D	1-1904020-5	MINI RELAY -DIODE SUPPRESSION	-	MY 2019-22
-	-	-	-	-
-	-	-	-	-
-	-	-	-	-
-	-	-	-	-
-	-	-	-	-
-	-	-	-	-
-	-	-	-	-
-	-	-	-	-
-	-	-	-	-
-	-	-	-	-
-	-	-	-	-
-	-	-	-	-
-	-	-	-	-
-	-	-	-	-
-	-	-	-	-
-	-	-	-	-
-	-	-	-	-
-	-	-	-	-
-	-	-	-	-
-	-	-	-	-
-	-	-	-	-
-	-	-	-	-
-	-	-	-	-
-	-	-	-	-
-	-	-	-	-
-	-	-	-	-
-	-	-	-	-
-	-	-	-	-
-	-	-	-	-

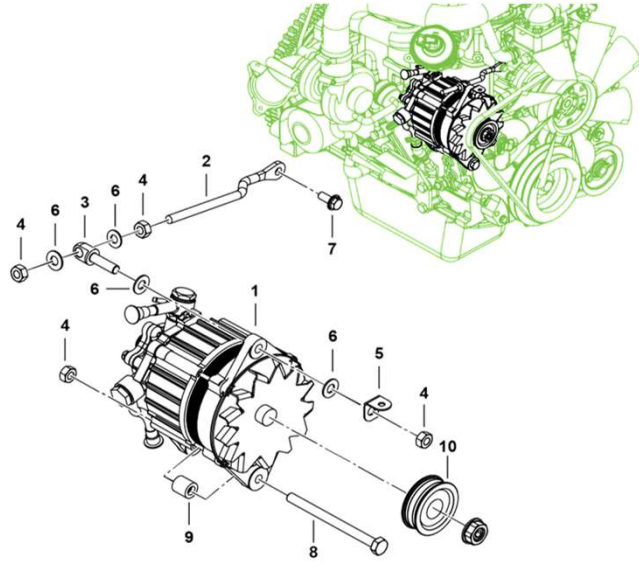
STARTER



1	0307CAB01711N	STARTER MOTOR - MANUAL TRANSMISSION	1	-
2	SF0202011	SCREW HEX M10X1.5X25X8.8XPH	3	-
3	SF0402011	WASHER SPRING L M10X18.1X2.2XZN	3	-
4	SF0401052	WASHER PLAIN G9.5X20.6X1.65	3	-
-	-	-	-	-
-	-	-	-	-
-	-	-	-	-
-	-	-	-	-
-	-	-	-	-
-	-	-	-	-
-	-	-	-	-
-	-	-	-	-
-	-	-	-	-
-	-	-	-	-
-	-	-	-	-
-	-	-	-	-
-	-	-	-	-
-	-	-	-	-
-	-	-	-	-
-	-	-	-	-
-	-	-	-	-
-	-	-	-	-
-	-	-	-	-
-	-	-	-	-
-	-	-	-	-
-	-	-	-	-
-	-	-	-	-
-	-	-	-	-
-	-	-	-	-
-	-	-	-	-
-	-	-	-	-
-	-	-	-	-
-	-	-	-	-
-	-	-	-	-
-	-	-	-	-
-	-	-	-	-
-	-	-	-	-
-	-	-	-	-
-	-	-	-	-
-	-	-	-	-
-	-	-	-	-

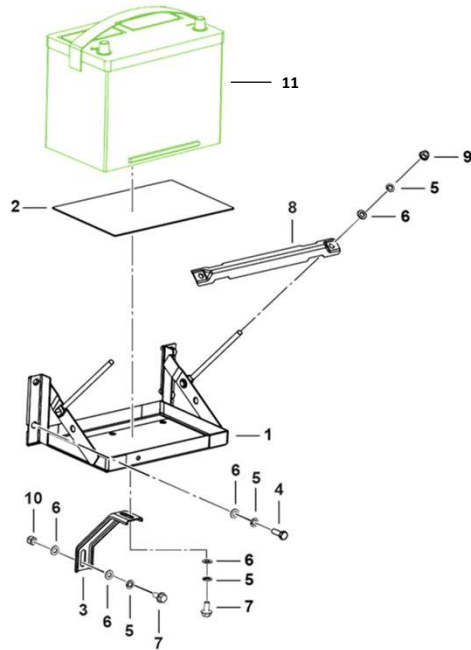


ALTERNATOR



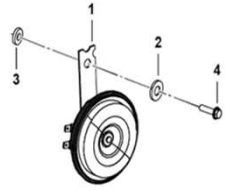
1	1402AAA07971N	ALTERNATOR	1	-
2	0306DB0050N	STUD ALTERNATOR	1	-
3	0024822	PIVOT ALTERNATOR M10	1	-
4	SF0301013	NUT HEX M10X1.5X8X8XZN	4	-
5	0306DB0060N	CLIP WIRING HARNESS	1	NSS
6	SF0401016	WASHER PLAIN M10X22X1.6XZN5	4	-
7	SF0202008	SCREW HEX FL M8X1.25X20X8.8XPH	1	-
8	SF0101243	BOLT HEX M10X1.5X130X8.8	1	-
9	0302AXB00011N	SPACER ALTERNATOR	1	-
10	1402AA3021N	ALTERNATOR PULLEY	1	NSS
-	-	-	-	-
-	-	-	-	-
-	-	-	-	-
-	-	-	-	-
-	-	-	-	-
-	-	-	-	-
-	-	-	-	-
-	-	-	-	-
-	-	-	-	-
-	-	-	-	-
-	-	-	-	-
-	-	-	-	-
-	-	-	-	-
-	-	-	-	-
-	-	-	-	-
-	-	-	-	-
-	-	-	-	-
-	-	-	-	-
-	-	-	-	-
-	-	-	-	-
-	-	-	-	-
-	-	-	-	-
-	-	-	-	-
-	-	-	-	-
-	-	-	-	-
-	-	-	-	-
-	-	-	-	-
-	-	-	-	-
-	-	-	-	-
-	-	-	-	-
-	-	-	-	-
-	-	-	-	-

BATTERY TRAY



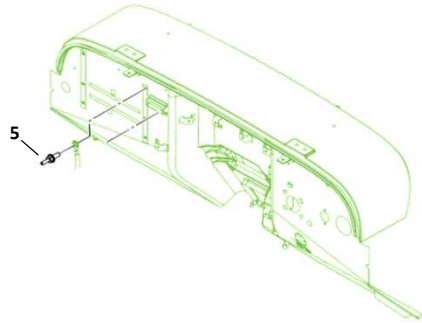
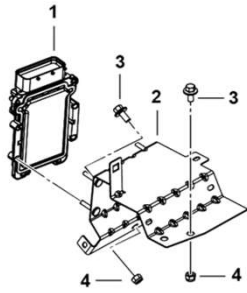
1	1401BAA02410N	BATTERY TRAY	1	-
2	14010AA0021N	SEPARATOR BATTERY TRAY	1	-
3	70651	SUPPORT - BATTERY TRAY BOTTOM	1	-
4	SF0201084	SCREW HEX M8X1.25X20	5	-
5	SF0402008	WASHER - SPRING M8	5	-
6	SF0401012	WASHER - PLAIN M8	7	-
7	SF0103054	BOLT- HEX M8 x 1.25 x 35	1	-
8	1401BA0201N	BATTERY HOLD DOWN BRACKET	1	-
9	SF0303014	NUT - HEX FL M8 X 1.25	2	-
10	SF0302043	NUT - NYLOC M8X1.25	2	-
11	1401AAA01391N	FLOODED Group 24 or Group 34+spacer	1	NSS
11	1401AAA01401N	AGM (PREMIUM) 24 or Group 34+spacer	1	NSS
11	1401AAA01162N	BATTERY 65 AH 24 or Group 34+spacer	1	NSS
-	-	-	-	-
-	-	-	-	-
-	-	-	-	-
-	-	-	-	-
-	-	-	-	-
-	-	-	-	-
-	-	-	-	-
-	-	-	-	-
-	-	-	-	-
-	-	-	-	-
-	-	-	-	-
-	-	-	-	-
-	-	-	-	-
-	-	-	-	-
-	-	-	-	-
-	-	-	-	-
-	-	-	-	-
-	-	-	-	-
-	-	-	-	-
-	-	-	-	-
-	-	-	-	-
-	-	-	-	-
-	-	-	-	-
-	-	-	-	-
-	-	-	-	-
-	-	-	-	-
-	-	-	-	-
-	-	-	-	-
-	-	-	-	-
-	-	-	-	-
-	-	-	-	-
-	-	-	-	-

HORN



1	1306AAA00431N	HORN LOW TONE	1	-
2	6508212	LOCK WASHER SPRING M8	1	-
3	6108212	WASHER PLAIN M8	1	-
4	SF0201061	SCREW HEX M8 x 1.25 - 25	1	-
5	-	-	-	-
6	-	-	-	-
7	-	-	-	-
8	-	-	-	-
9	-	-	-	-
10	-	-	-	-
11	-	-	-	-
12	-	-	-	-
13	-	-	-	-
14	-	-	-	-
15	-	-	-	-
16	-	-	-	-
17	-	-	-	-
18	-	-	-	-
19	-	-	-	-
20	-	-	-	-
21	-	-	-	-
22	-	-	-	-
23	-	-	-	-
24	-	-	-	-
25	-	-	-	-
26	-	-	-	-
27	-	-	-	-
28	-	-	-	-
29	-	-	-	-
30	-	-	-	-
31	-	-	-	-
32	-	-	-	-
33	-	-	-	-
34	-	-	-	-
35	-	-	-	-
36	-	-	-	-
37	-	-	-	-
38	-	-	-	-
39	-	-	-	-
40	-	-	-	-
41	-	-	-	-
42	-	-	-	-
43	-	-	-	-
44	-	-	-	-
45	-	-	-	-
46	-	-	-	-
47	-	-	-	-
48	-	-	-	-
49	-	-	-	-
50	-	-	-	-

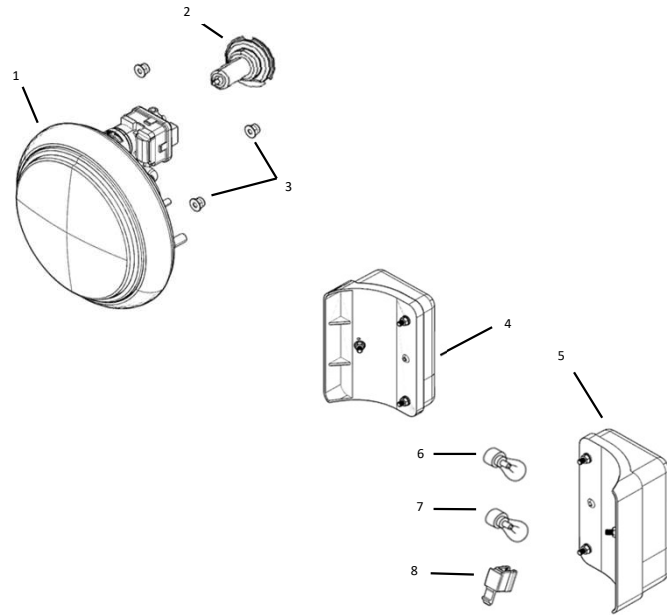
ECU



7

1	1805AAA01571N	ECU ENGINE CONTROL UNIT EC55	1	NS - CORE / FLASH
2	1801GUA00020N	BRACKET - ECU AND SMALL FUSE BOX	1	-
3	SF0202172	SCREW HEX FL M8X1.25X18X8.8	3	-
4	SF0302043	NUT NYLOC M8X1.25X9.5X8	3	-
5	0000AUA00141N	STUD DOUBLE ENDED M8 X 20 M6 X 20	1	-
6	-	-	-	-
7	-	-	-	-
8	-	-	-	-
9	-	-	-	-
10	-	-	-	-
11	-	-	-	-
12	-	-	-	-
13	-	-	-	-
14	-	-	-	-
15	-	-	-	-
16	-	-	-	-
17	-	-	-	-
18	-	-	-	-
19	-	-	-	-
20	-	-	-	-
21	-	-	-	-
22	-	-	-	-
23	-	-	-	-
24	-	-	-	-
25	-	-	-	-
26	-	-	-	-
27	-	-	-	-
28	-	-	-	-
29	-	-	-	-
30	-	-	-	-
31	-	-	-	-
32	-	-	-	-
33	-	-	-	-
34	-	-	-	-
35	-	-	-	-
36	-	-	-	-
37	-	-	-	-
38	-	-	-	-
39	-	-	-	-
40	-	-	-	-
41	-	-	-	-
42	-	-	-	-
43	-	-	-	-
44	-	-	-	-
45	-	-	-	-
46	-	-	-	-
47	-	-	-	-
48	-	-	-	-
49	-	-	-	-
50	-	-	-	-

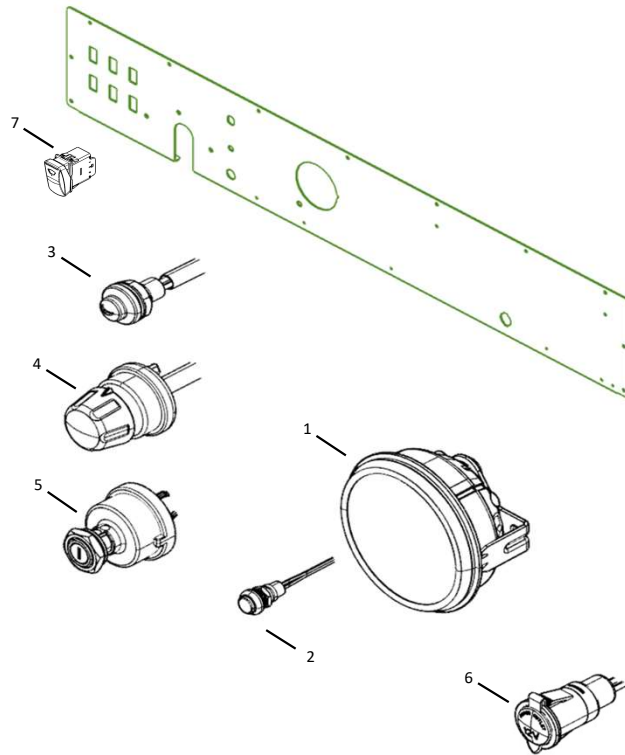
LIGHTING



1	1701AAA06351N	ROUND HEAD LAMP ASSY	1	-
2	0077670	BULB - HEADLAMP H4 / 60W	1	-
3	SF0315004	SF0315004/001-NUT HX NYL FL M6X1X9X8	3	-
4	1703AAA04340N	REAR COMBINATION LAMP RH	1	-
5	1703AAA04330N	REAR COMBINATION LAMP LH	1	-
6	17030AA0080N	BULB 12V - 5W (BRAKE / RUNNING) (1057 STYLE)	2	-
7	1703AA0120N	BULB 12V - 21W (REVERSE) (1056 STYLE)	2	-
8	0000AU01651N	CONNECTOR EDGE BITER CLIP	2	-
9	-	-	-	-
10	-	-	-	-
11	-	-	-	-
12	-	-	-	-
13	-	-	-	-
14	-	-	-	-
15	-	-	-	-
16	-	-	-	-
17	-	-	-	-
18	-	-	-	-
19	-	-	-	-
20	-	-	-	-
21	-	-	-	-
22	-	-	-	-
23	-	-	-	-
24	-	-	-	-
25	-	-	-	-
26	-	-	-	-
27	-	-	-	-
28	-	-	-	-
29	-	-	-	-
30	-	-	-	-
31	-	-	-	-
32	-	-	-	-
33	-	-	-	-
34	-	-	-	-
35	-	-	-	-
36	-	-	-	-
37	-	-	-	-
38	-	-	-	-
39	-	-	-	-
40	-	-	-	-
41	-	-	-	-
42	-	-	-	-
43	-	-	-	-
44	-	-	-	-
45	-	-	-	-
46	-	-	-	-
47	-	-	-	-
48	-	-	-	-
49	-	-	-	-
50	-	-	-	-

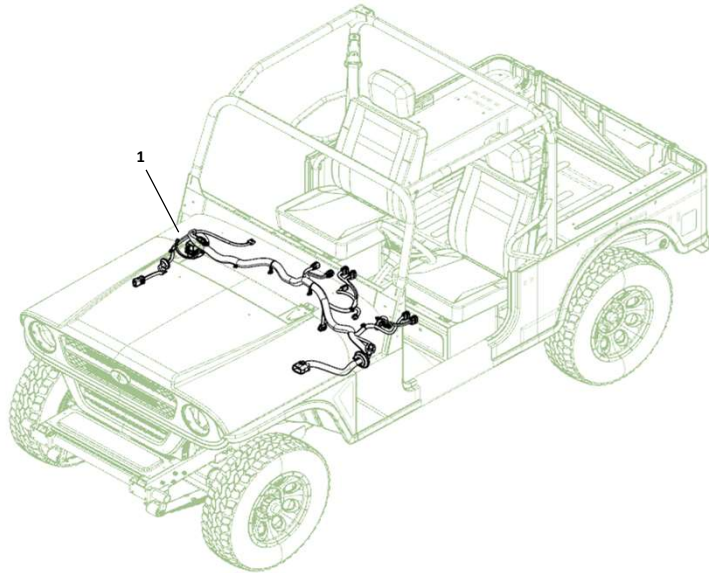


INSTRUMENT PANEL - DIGITAL



1	1301AUJA00051N	CLUSTER - DIGITAL	1	CORE / FLASH
2	1803AUJA00241N	TRIP SWITCH	1	-
3	1803AUJA00221N	HORN BUTTON	1	-
4	1803AUJA00231N	HEADLAMP SWITCH	1	-
5	1803AUJA00211N	IGNITION SWITCH	1	-
6	1804AUJA00021N	12V OUTLET	1	-
7	1803AUJA00181N	WIPER SWITCH DUAL	1	-
8	-	-	-	-
9	-	-	-	-
10	-	-	-	-
11	-	-	-	-
12	-	-	-	-
13	-	-	-	-
14	-	-	-	-
15	-	-	-	-
16	-	-	-	-
17	-	-	-	-
18	-	-	-	-
19	-	-	-	-
20	-	-	-	-
21	-	-	-	-
22	-	-	-	-
23	-	-	-	-
24	-	-	-	-
25	-	-	-	-
26	-	-	-	-
27	-	-	-	-
28	-	-	-	-
29	-	-	-	-
30	-	-	-	-
31	-	-	-	-
32	-	-	-	-
33	-	-	-	-
34	-	-	-	-
35	-	-	-	-
36	-	-	-	-
37	-	-	-	-
38	-	-	-	-
39	-	-	-	-
40	-	-	-	-
41	-	-	-	-
42	-	-	-	-
43	-	-	-	-
44	-	-	-	-
45	-	-	-	-
46	-	-	-	-
47	-	-	-	-
48	-	-	-	-
49	-	-	-	-
50	-	-	-	-

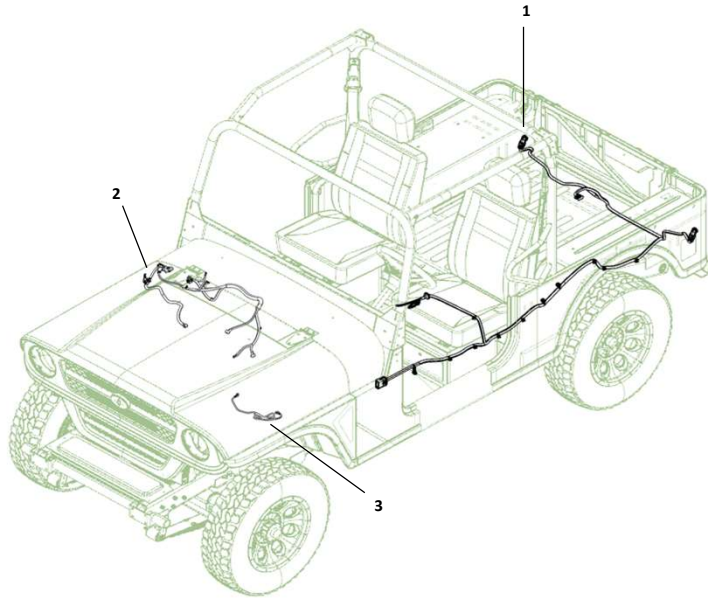
WIRING HARNESS – INSTRUMENT PANEL



1	1801BUA00031N	WIRE HARNESS IP	1	ANALOG - NS
1	1801BUA00151N	WIRE HARNESS IP	1	DIGITAL
3	-	-	-	-
4	-	-	-	-
5	-	-	-	-
6	-	-	-	-
7	-	-	-	-
8	-	-	-	-
9	-	-	-	-
10	-	-	-	-
11	-	-	-	-
12	-	-	-	-
13	-	-	-	-
14	-	-	-	-
15	-	-	-	-
16	-	-	-	-
17	-	-	-	-
18	-	-	-	-
19	-	-	-	-
20	-	-	-	-
21	-	-	-	-
22	-	-	-	-
23	-	-	-	-
24	-	-	-	-
25	-	-	-	-
26	-	-	-	-
27	-	-	-	-
28	-	-	-	-
29	-	-	-	-
30	-	-	-	-
31	-	-	-	-
32	-	-	-	-
33	-	-	-	-
34	-	-	-	-
35	-	-	-	-
36	-	-	-	-
37	-	-	-	-
38	-	-	-	-
39	-	-	-	-
40	-	-	-	-
41	-	-	-	-
42	-	-	-	-
43	-	-	-	-
44	-	-	-	-
45	-	-	-	-
46	-	-	-	-
47	-	-	-	-
48	-	-	-	-
49	-	-	-	-
50	-	-	-	-



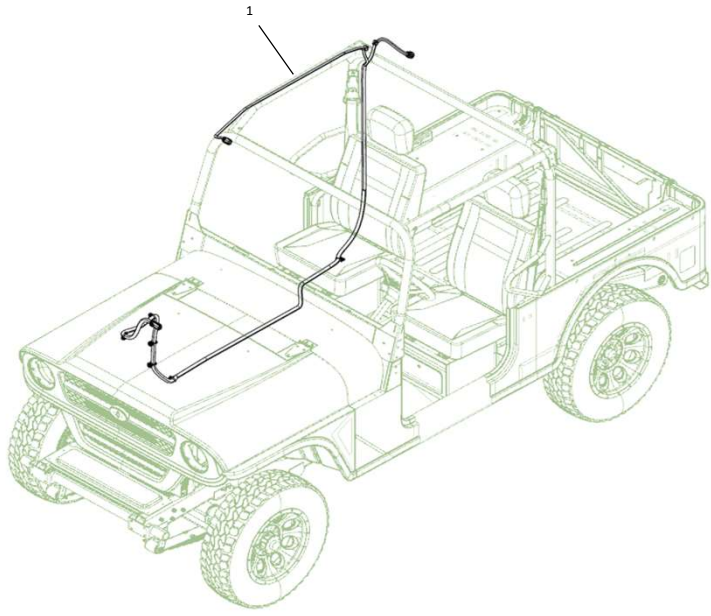
WIRING HARNESS – CHASSIS



1	1801CUA00011N	WIRE HARNESS CHASSIS DIESEL	-	-
2	1401CUA00011N	BATTERY CABLE HARNESS ASSY DIESEL	-	-
3	1801EUA00011N	CHASSIS GROUND JUMPER	-	-
4	-	-	-	-
5	-	-	-	-
6	-	-	-	-
7	-	-	-	-
8	-	-	-	-
9	-	-	-	-
10	-	-	-	-
11	-	-	-	-
12	-	-	-	-
13	-	-	-	-
14	-	-	-	-
15	-	-	-	-
16	-	-	-	-
17	-	-	-	-
18	-	-	-	-
19	-	-	-	-
20	-	-	-	-
21	-	-	-	-
22	-	-	-	-
23	-	-	-	-
24	-	-	-	-
25	-	-	-	-
26	-	-	-	-
27	-	-	-	-
28	-	-	-	-
29	-	-	-	-
30	-	-	-	-
31	-	-	-	-
32	-	-	-	-
33	-	-	-	-
34	-	-	-	-
35	-	-	-	-
36	-	-	-	-
37	-	-	-	-
38	-	-	-	-
39	-	-	-	-
40	-	-	-	-
41	-	-	-	-
42	-	-	-	-
43	-	-	-	-
44	-	-	-	-
45	-	-	-	-
46	-	-	-	-
47	-	-	-	-
48	-	-	-	-
49	-	-	-	-
50	-	-	-	-

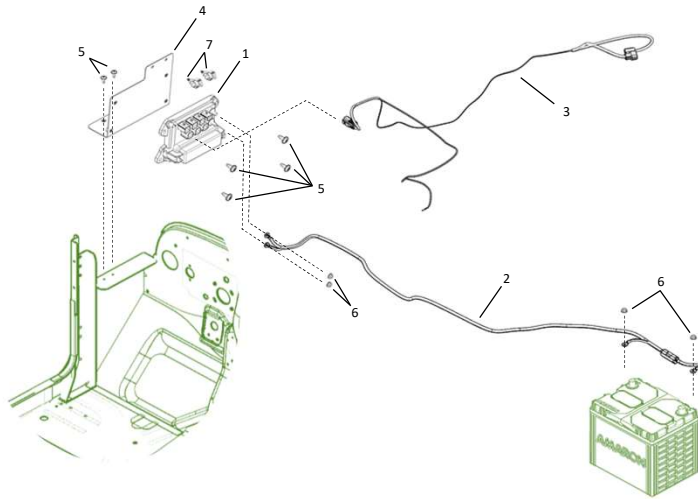


HARNESS - AUXILIARY LIGHTING



1	1801CUA00021N	WIRE HARNESS ROPS - LIGHTBAR & SOUND	-	-
1	1801CUA00031N	WIRE HARNESS ROPS - LIGHTBAR ONLY	-	OPT
1	1801CUA00041N	WIRE HARNESS ROPS - SOUNDBAR ONLY	-	OPT
-	-	-	-	-
-	-	-	-	-
-	-	-	-	-
-	-	-	-	-
-	-	-	-	-
-	-	-	-	-
-	-	-	-	-
-	-	-	-	-
-	-	-	-	-
-	-	-	-	-
-	-	-	-	-
-	-	-	-	-
-	-	-	-	-
-	-	-	-	-
-	-	-	-	-
-	-	-	-	-
-	-	-	-	-
-	-	-	-	-
-	-	-	-	-
-	-	-	-	-
-	-	-	-	-
-	-	-	-	-
-	-	-	-	-
-	-	-	-	-
-	-	-	-	-
-	-	-	-	-
-	-	-	-	-
-	-	-	-	-
-	-	-	-	-
-	-	-	-	-
-	-	-	-	-
-	-	-	-	-
-	-	-	-	-
-	-	-	-	-
-	-	-	-	-
-	-	-	-	-
-	-	-	-	-
-	-	-	-	-
-	-	-	-	-
-	-	-	-	-
-	-	-	-	-
-	-	-	-	-
-	-	-	-	-
-	-	-	-	-
-	-	-	-	-
-	-	-	-	-

AUXILIARY POWER



1	1801FUA00031N	ACCESSORY POWER CTR	1	-
2	1801AUA00641N	APDC POWER JUMPER	1	-
3	1801AUA00651N	APDC RETROFIT JUMPER	1	-
4	1501CUA00031N	BRACKET APDC MOUNT LH	1	-
5	0000AUA00441N	SCREW M6X1X17 LARGE CROWN WASH HD	6	-
6	0000AUA01631N	NUT M6 HEX FLANGE SN-ZN	4	-
7	0000AUA01711N	OMEGA CLIP 151 01022 19 MM DIA	2	-
8	0000AUA00461N	CABLE TIE STRAP 305 LONG	8	not pictured
9	-	-	-	-
10	-	-	-	-
11	-	-	-	-
12	-	-	-	-
13	-	-	-	-
14	-	-	-	-
15	-	-	-	-
16	-	-	-	-
17	-	-	-	-
18	-	-	-	-
19	-	-	-	-
20	-	-	-	-
21	-	-	-	-
22	-	-	-	-
23	-	-	-	-
24	-	-	-	-
25	-	-	-	-
26	-	-	-	-
27	-	-	-	-
28	-	-	-	-
29	-	-	-	-
30	-	-	-	-
31	-	-	-	-
32	-	-	-	-
33	-	-	-	-
34	-	-	-	-
35	-	-	-	-
36	-	-	-	-
37	-	-	-	-
38	-	-	-	-
39	-	-	-	-
40	-	-	-	-
41	-	-	-	-
42	-	-	-	-
43	-	-	-	-
44	-	-	-	-
45	-	-	-	-
46	-	-	-	-
47	-	-	-	-
48	-	-	-	-
49	-	-	-	-
50	-	-	-	-



HDUV FUSES AND RELAYS - UNDERHOOD

FUSES

- F1 - EMPTY
- F2 - EMPTY
- F3 - EMPTY
- F4 - STARTER SOLENOID
- F5 - ECU MAIN
- F6 - EMPTY
- F7 - HEATER
- F8 - EMPTY
- F9 - EMPTY
- F10 - KEY SWITCH
- F11 - HORN
- F12 - ECU MICRO
- F13 - ACCESSORY
- F14 - POWER OUTLET
- F15 - EMPTY
- F16 - EXTERIOR LIGHT
- F17 - INSTR. GAUGE
- F18 - DIAGNOSTIC
- F19 - ALT. EXCITATION
- F20 - FRONT LED
- F21 - HEADLIGHT HIGH
- F22 - ECU SW PW
- F23 - ECU PW2
- F24 - BRAKE PEDAL
- F25 - ENGINE ACCESS
- F26 - ECU PW1
- F27 - REV LIGHT
- F28 - LOW BEAM
- F29 - PARK LIGHT
- F30 - 2 SPEED HEATER

RELAYS

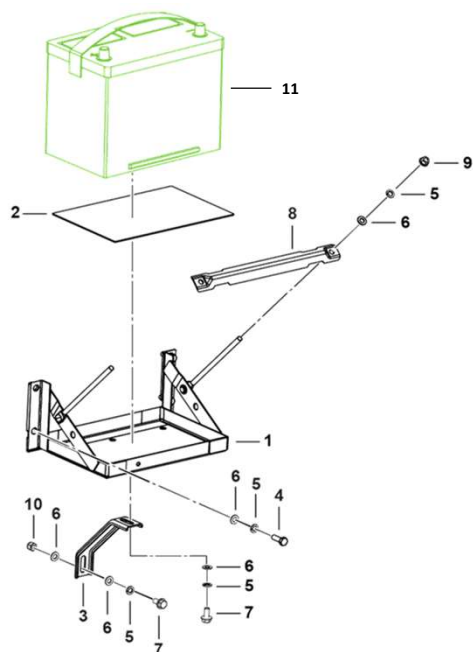
- R1 - EMPTY
- R2 - INTAKE HEATER
- R3 - SPARE
- R4 - EMPTY
- R5 - STARTER SOLENOID
- R6 - ECU MAIN
- R7 - EMPTY
- R8 - EMPTY
- R9 - HEADLIGHT HIGH
- R10 - EMPTY
- R11 - EXT LIGHTING
- R12 - POWER OUTLET
- R13 - FRONT LED
- R14 - ALT. EXCITATION



F1	-	EMPTY	-	-
F2	-	EMPTY	-	-
F3	-	EMPTY	-	-
F4	34320021	FL LOW BOX 30A2	1	-
F5	34320021	FL LOW BOX 30A2	1	-
F6	-	EMPTY	-	-
F7	34620021	FL LOW BOX 60A2	1	-
F8	-	EMPTY	-	-
F9	-	EMPTY	-	-
F10	11950001	FUSE MINI 10LO (RED)	1	-
F11	11960001	FUSE MINI 15LO (BLUE)	1	-
F12	11930001	FUSE MINI 5LO (TAN)	1	-
F13	11960001	FUSE MINI 15LO (BLUE)	1	-
F14	11970001	FUSE MINI 20LO (YELLOW)	1	-
F15	-	EMPTY	-	-
F16	11970001	FUSE MINI 20LO (YELLOW)	1	-
F17	-	FUSE MINI 2A	1	-
F18	11930001	FUSE MINI 5LO (TAN)	1	-
F19	11930001	FUSE MINI 5LO (TAN)	1	-
F20	11970001	FUSE MINI 20LO (YELLOW)	1	-
F21	11970001	FUSE MINI 20LO (YELLOW)	1	-
F22	11930001	FUSE MINI 5LO (TAN)	1	-
F23	11950001	FUSE MINI 10LO (RED)	1	-
F24	11950001	FUSE MINI 10LO (RED)	1	-
F25	11960001	FUSE MINI 15LO (BLUE)	1	-
F26	11950001	FUSE MINI 10LO (RED)	1	-
F27	11930001	FUSE MINI 5LO (TAN)	1	-
F28	11960001	FUSE MINI 15LO (BLUE)	1	-
F29	11950001	FUSE MINI 10LO (RED)	1	-
F30	11950001	FUSE MINI 10LO (RED)	1	-
R1	-	EMPTY	-	-
R2	HFV7-012-HSTM-D	ISO RLY 12V/70A W/DIODE1 FORM A SLD	1	007705187U1
R3	-	EMPTY	-	-
R4	-	EMPTY	-	-
R5	740-12-1A-1SAE-MM	MINI RLY 12V/40A SLD 1 FORM A RESIS	1	000013084P05
R6	740-12-1A-1SABLE-SMM	RELAY 12V/40A 1FORM A RESISTOR BLK	1	-
R7	-	EMPTY	-	-
R8	-	EMPTY	-	-
R9	7E3D0-1A-1201-1E	RLY SLD 12V/20A 1FORM A	1	007702725C1
R10	-	EMPTY	-	-
R11	7E3D0-1A-1201-1E	RLY SLD 12V/20A 1FORM A	1	007702725C1
R12	7E3D0-1A-1201-1E	RLY SLD 12V/20A 1FORM A	1	007702725C1
R13	7E3D0-1A-1201-1E	RLY SLD 12V/20A 1FORM A	1	007702725C1
R14	7E3D0-1A-1201-1E	RLY SLD 12V/20A 1FORM A	1	007702725C1
-	-	-	-	-
-	-	-	-	-
-	-	-	-	-
-	-	-	-	-
-	-	-	-	-
-	-	-	-	-
-	-	-	-	-
-	-	-	-	-



BATTERY TRAY



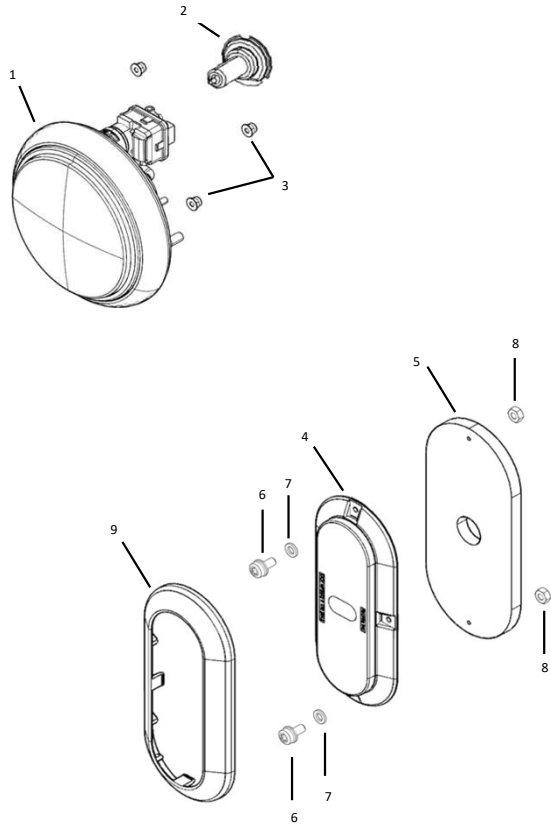
1	1401BAA02410N	BATTERY TRAY	1	-
2	14010AA0021N	SEPARATOR BATTERY TRAY	1	-
3	70651	SUPPORT - BATTERY TRAY BOTTOM	1	-
4	SF0201084	SCREW HEX M8X1.25X20	5	-
5	SF0402008	WASHER - SPRING M8	5	-
6	SF0401012	WASHER - PLAIN M8	7	-
7	SF0103054	BOLT- HEX M8 x 1.25 x 35	1	-
8	1401BA0201N	BATTERY HOLD DOWN BRACKET	1	-
9	SF0303014	NUT - HEX FL M8 X 1.25	2	-
10	SF0302043	NUT - NYLOC M8X1.25	2	-
11	1401AAA01391N	FLOODED Group 24 or Group 34+spacer	1	NSS
11	1401AAA01401N	AGM (PREMIUM) 24 or Group 34+spacer	1	NSS
11	1401AAA01162N	BATTERY 65 AH 24 or Group 34+spacer	1	NSS
-	-	-	-	-
-	-	-	-	-
-	-	-	-	-
-	-	-	-	-
-	-	-	-	-
-	-	-	-	-
-	-	-	-	-
-	-	-	-	-
-	-	-	-	-
-	-	-	-	-
-	-	-	-	-
-	-	-	-	-
-	-	-	-	-
-	-	-	-	-
-	-	-	-	-
-	-	-	-	-
-	-	-	-	-
-	-	-	-	-
-	-	-	-	-
-	-	-	-	-
-	-	-	-	-
-	-	-	-	-
-	-	-	-	-
-	-	-	-	-
-	-	-	-	-
-	-	-	-	-
-	-	-	-	-
-	-	-	-	-
-	-	-	-	-
-	-	-	-	-
-	-	-	-	-
-	-	-	-	-
-	-	-	-	-
-	-	-	-	-
-	-	-	-	-
-	-	-	-	-
-	-	-	-	-
-	-	-	-	-
-	-	-	-	-
-	-	-	-	-
-	-	-	-	-
-	-	-	-	-
-	-	-	-	-







LIGHTING - HD



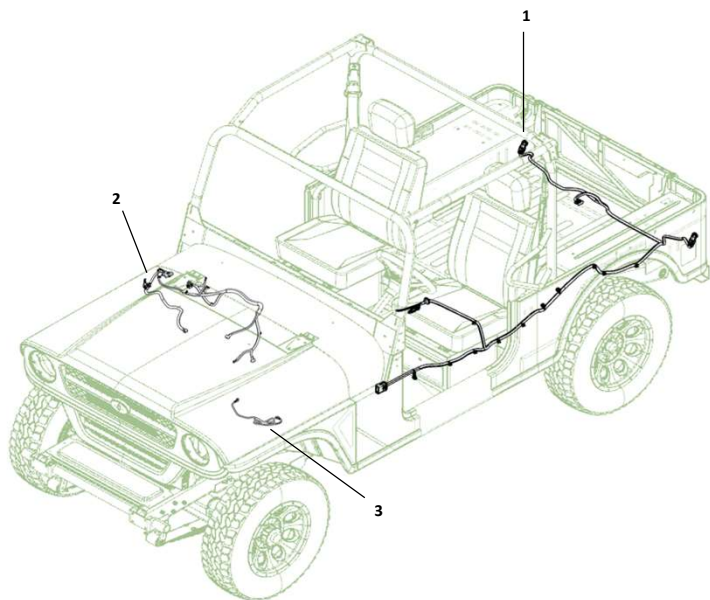
6

1	1701AAA06351N	ROUND HEAD LAMP ASSY	1	-
2	0077670	BULB - HEADLAMP H4 / 60W	1	-
3	SF0315004	NUT HX NYL FL M6X1X9X8	3	-
4	1703AAA05151N	TAILLAMP ASSY	1	-
5	2302EUA00051N	GASKET FOAM TAIL LAMP	1	-
6	1703AUA00041N	LED TAIL LAMP BEZEL	1	-
7	SF0244005	SCREW PAN HLB C LP M4X0.7X10X8.8	2	-
8	SF0401214	WASHER PLAIN M4X7.5X1	2	-
9	SF0301002	NUT HEX M4X0.7X3.2X8XZN	2	-
10	-	-	-	-
11	-	-	-	-
12	-	-	-	-
13	-	-	-	-
14	-	-	-	-
15	-	-	-	-
16	-	-	-	-
17	-	-	-	-
18	-	-	-	-
19	-	-	-	-
20	-	-	-	-
21	-	-	-	-
22	-	-	-	-
23	-	-	-	-
24	-	-	-	-
25	-	-	-	-
26	-	-	-	-
27	-	-	-	-
28	-	-	-	-
29	-	-	-	-
30	-	-	-	-
31	-	-	-	-
32	-	-	-	-
33	-	-	-	-
34	-	-	-	-
35	-	-	-	-
36	-	-	-	-
37	8	-	-	-
38	-	-	-	-
39	-	-	-	-
40	-	-	-	-
41	-	-	-	-
42	-	-	-	-
43	-	-	-	-
44	-	-	-	-
45	-	-	-	-
46	-	-	-	-
47	-	-	-	-
48	-	-	-	-
49	-	-	-	-
50	-	-	-	-





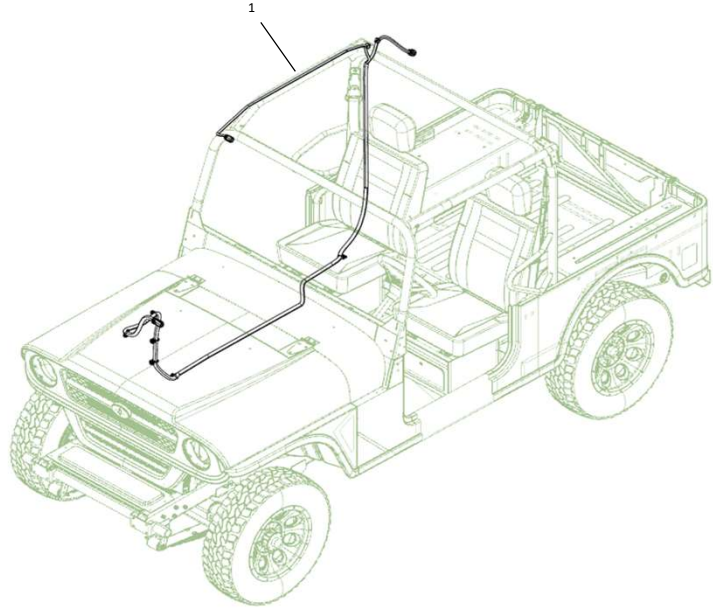
WIRING HARNESS – CHASSIS



1	<b>1801CUA00271N</b>	WIRE HARNESS CHASSIS - DT4	-	-
2	<b>1401CAA00081N</b>	WIRE HARNESS BATTERY - DT4	-	-
3	<b>1801EUA00011N</b>	EARTH CABLE ENGINE-CHASSIS	-	Alternate p/n 0091955
-	-	-	-	-
-	-	-	-	-
-	-	-	-	-
-	-	-	-	-
-	-	-	-	-
-	-	-	-	-
-	-	-	-	-
-	-	-	-	-
-	-	-	-	-
-	-	-	-	-
-	-	-	-	-
-	-	-	-	-
-	-	-	-	-
-	-	-	-	-
-	-	-	-	-
-	-	-	-	-
-	-	-	-	-
-	-	-	-	-
-	-	-	-	-
-	-	-	-	-
-	-	-	-	-



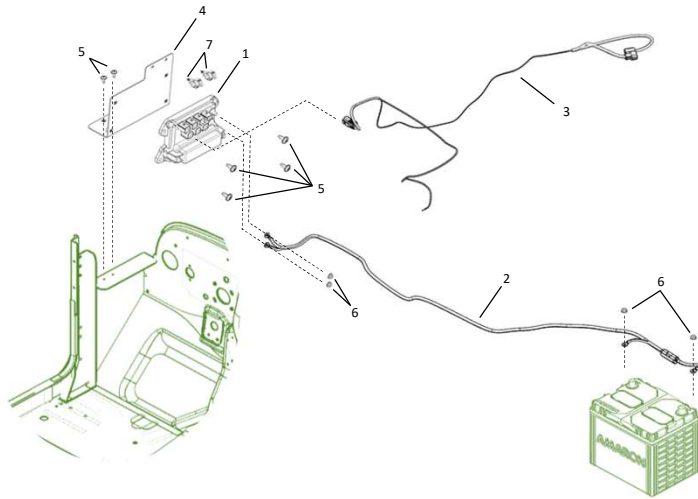
HARNESS - AUXILIARY LIGHTING



1	1801CUA00021N	WIRE HARNESS ROPS - LIGHTBAR & SOUND	-	-
1	1801CUA00031N	WIRE HARNESS ROPS - LIGHTBAR ONLY	-	OPT
1	1801CUA00041N	WIRE HARNESS ROPS - SOUNDBAR ONLY	-	OPT
-	-	-	-	-
-	-	-	-	-
-	-	-	-	-
-	-	? add light bar and sound bar...	-	-
-	-	-	-	-
-	-	-	-	-
-	-	-	-	-
-	-	-	-	-
-	-	-	-	-
-	-	-	-	-
-	-	-	-	-
-	-	-	-	-
-	-	-	-	-
-	-	-	-	-
-	-	-	-	-
-	-	-	-	-
-	-	-	-	-
-	-	-	-	-
-	-	-	-	-
-	-	-	-	-
-	-	-	-	-
-	-	-	-	-
-	-	-	-	-
-	-	-	-	-
-	-	-	-	-
-	-	-	-	-
-	-	-	-	-
-	-	-	-	-
-	-	-	-	-
-	-	-	-	-
-	-	-	-	-
-	-	-	-	-
-	-	-	-	-
-	-	-	-	-
-	-	-	-	-
-	-	-	-	-
-	-	-	-	-

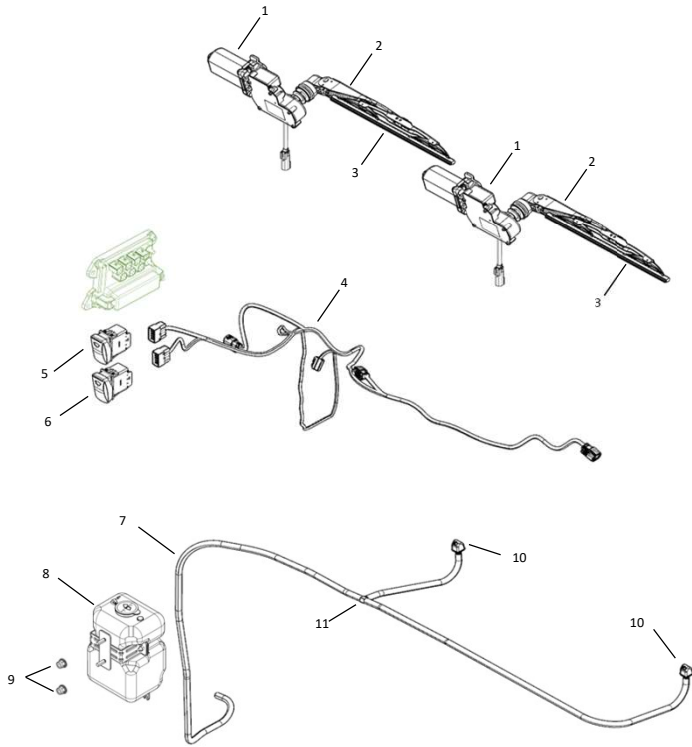


AUXILIARY POWER



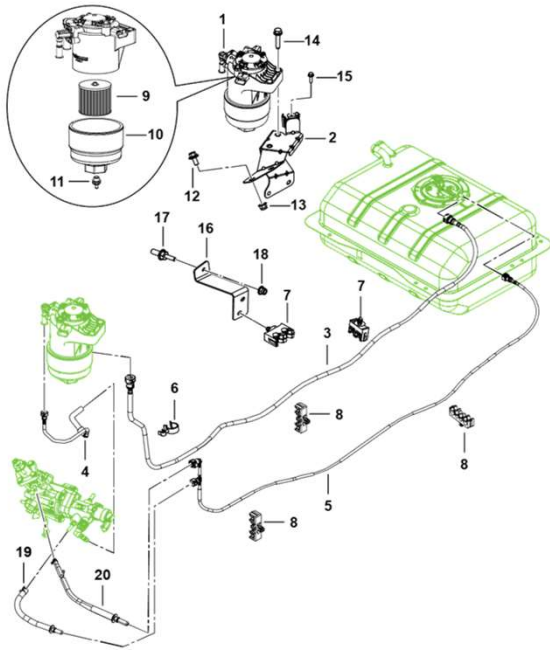
1	1801FUA00031N	ACCESSORY POWER CTR	1	-
2	1801AUA00641N	APDC POWER JUMPER	1	-
3	1801AUA00651N	APDC RETROFIT JUMPER	1	-
4	1501CUA00031N	BRACKET APDC MOUNT LH	1	-
5	0000AUA00441N	SCREW M6X1X17 LARGE CROWN WASH HD	6	-
6	0000AUA01631N	NUT M6 HEX FLANGE SN-ZN	4	-
7	0000AUA01711N	OMEGA CLIP 151 01022 19 MM DIA	2	-
8	0000AUA00461N	CABLE TIE STRAP 305 LONG	8	not pictured
9	-	-	-	-
10	-	-	-	-
11	-	-	-	-
12	-	-	-	-
13	-	-	-	-
14	-	-	-	-
15	-	-	-	-
16	-	-	-	-
17	-	-	-	-
18	-	-	-	-
19	-	-	-	-
20	-	-	-	-
21	-	-	-	-
22	-	-	-	-
23	-	-	-	-
24	-	-	-	-
25	-	-	-	-
26	-	-	-	-
27	-	-	-	-
28	-	-	-	-
29	-	-	-	-
30	-	-	-	-
31	-	-	-	-
32	-	-	-	-
33	-	-	-	-
34	-	-	-	-
35	-	-	-	-
36	-	-	-	-
37	-	-	-	-
38	-	-	-	-
39	-	-	-	-
40	-	-	-	-
41	-	-	-	-
42	-	-	-	-
43	-	-	-	-
44	-	-	-	-
45	-	-	-	-
46	-	-	-	-
47	-	-	-	-
48	-	-	-	-
49	-	-	-	-
50	-	-	-	-

### WINDSHIELD WIPER



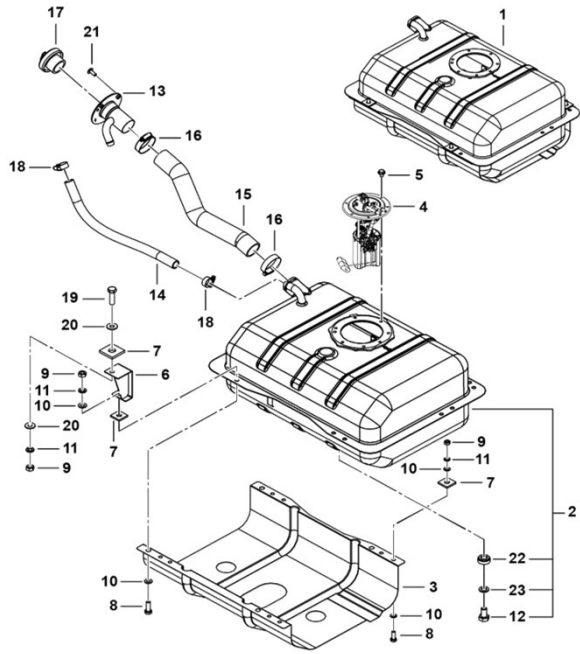
1	0116EUA00041N	WIPER ASSY	1	-
2	TBD	WIPER ARM	2	-
3	TBD	WIPER BLADE - 12"	2	-
4	TBD	HARNES	1	-
5	TBD	SWITCH - WIPER	1	-
6	TBD	SWITCH - WASHER	1	-
7	TBD	HOSE - WASHER	1	-
8	TBD	RESERVOIR	1	-
9	TBD	NUTS - M6	2	-
10	TBD	SPRAY NOZZLE	2	-
11	TBD	TEE FITTING	1	-
-	-	-	-	-
-	-	-	-	-
-	-	-	-	-
-	-	-	-	-
-	-	-	-	-
-	-	-	-	-
-	-	-	-	-
-	-	-	-	-
-	-	-	-	-
-	-	-	-	-
-	-	-	-	-
-	-	-	-	-
-	-	-	-	-
-	-	-	-	-
-	-	-	-	-
-	-	-	-	-
-	-	-	-	-
-	-	-	-	-
-	-	-	-	-
-	-	-	-	-
-	-	-	-	-
-	-	-	-	-
-	-	-	-	-
-	-	-	-	-
-	-	-	-	-
-	-	-	-	-
-	-	-	-	-
-	-	-	-	-
-	-	-	-	-
-	-	-	-	-
-	-	-	-	-
-	-	-	-	-
-	-	-	-	-
-	-	-	-	-
-	-	-	-	-
-	-	-	-	-
-	-	-	-	-
-	-	-	-	-
-	-	-	-	-

FUEL DELIVERY BS4



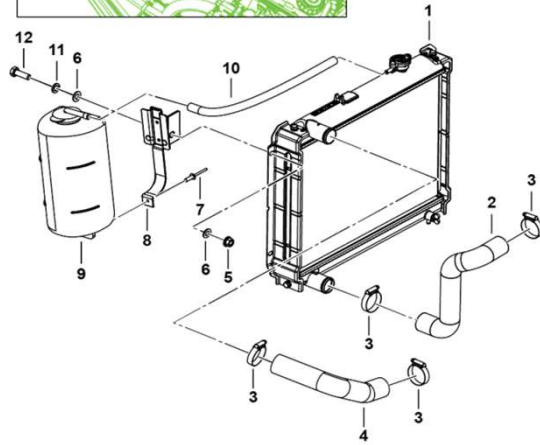
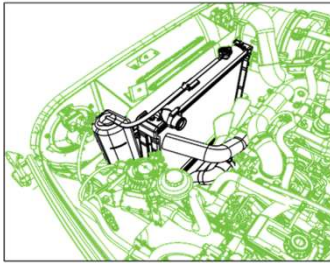
1	1001CAA15521N	FUEL FILTER	1	-
2	1001CAA17920N	BRKT ASSY FUEL FILTER MTG	1	-
3	1001CAA17121N	FUEL LINE TANK TO FILTER	1	-
4	1001CAB02741N	FUEL LINE FILTER TO FCU	1	-
5	1001CAA17131N	FUEL RETURN LINE	1	-
6	1001CAA12670N	CLIP FUEL LINE	2	-
7	1001CAB00381N	CLIP TWO WAY	4	-
8	1001CAA17481N	CLIP FUEL LINE FOUR WAY	3	-
9	1001CAA14881N	FILTER ELEMENT	1	-
10	1001CAA14911N	BODY FUEL FILTER	1	-
11	1001CAA14921N	DRAIN SCREW ASSY FUEL FLTR	1	-
12	SF0202172	SCREW HEX FL M8X1.25X18X8.8	4	-
13	SF0315020	NUT HX NYL FL M8X1.25X11X8	4	-
14	SF0103151	BOLT COMBI LP M8X1.25X45X8.8	2	-
15	SF0201083	SCREW HEX M8X1.25X20X8.8	1	-
16	1001CAB02771N	BRACKET FUEL LINE FRONT	1	-
17	0000AU00141N	STUD DOUBLE ENDED M8 X 20 M6 X 20	1	-
18	SF0315004	NUT HX NYL FL M6X1X9X8	1	-
19	0305DAB01190N	LEAK OFF ASSY FUEL CONTR UNIT	1	-
20	0305DAB00630N	ASSY LEAK OFF PUMP AND FCU (w/TEE)	1	-
21	-	-	-	-
22	-	-	-	-
23	-	-	-	-
24	-	-	-	-
25	-	-	-	-
26	-	-	-	-
27	-	-	-	-
28	-	-	-	-
29	-	-	-	-
30	-	-	-	-
31	-	-	-	-
32	-	-	-	-
33	-	-	-	-
34	-	-	-	-
35	-	-	-	-
36	-	-	-	-
37	-	-	-	-
38	-	-	-	-
39	-	-	-	-
40	-	-	-	-
41	-	-	-	-
42	-	-	-	-
43	-	-	-	-
44	-	-	-	-
45	-	-	-	-
46	-	-	-	-
47	-	-	-	-
48	-	-	-	-
49	-	-	-	-
50	-	-	-	-

FUEL STORAGE BS4



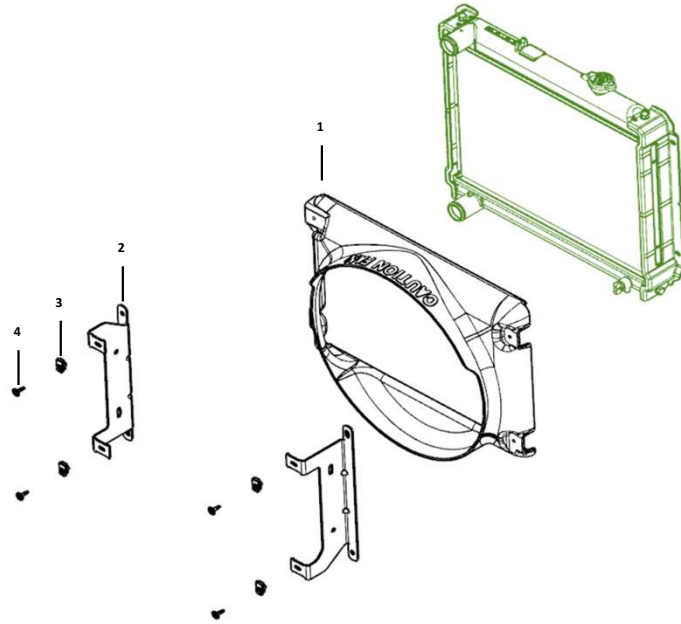
1	1001AAA08430N	FUEL TANK ASSY AND SKID PLATE	1	-
2	1001AAA08300N	FUEL TANK ASSY (INCLUDES ITEMS 12,22,23)	1	-
3	1001AAA08320N	SKID PLATE FUEL TANK	1	-
4	1001AAB00881N	FUEL DELIVERY MODULE	1	-
5	SF0202087	SCREW PAN HD M4 x .7 - 12	6	-
6	0076869	BRACKET FUEL TANK MTG FRT	2	-
7	0010218	RUBBER PACKING	8	-
8	SF0201025	SCREW HEX M8X1.25X25X8.8XZN	6	-
9	SF0301026	NUT HEX M8 x 1.25	8	-
10	SF0401012	WASHER PLAIN M8	13	-
11	SF0402008	LOCK WASHER SPRING M8	8	-
12	88391	DRAIN PLUG	1	-
13	1001DA0200N	FUEL FILLER NECK ASSY	1	-
14	0094004	HOSE BREATHER FUEL TANK	1	-
15	0076875	HOSE FUEL TANK TO FILLER NECK	1	-
16	SF0703023	HOSE CLIP W M60X0.78X12.1XSS	2	-
17	1001AAB01301N	CAP FUEL FILLER NECK	1	-
18	SF0703008	HOSE CLIP W M16X0.96X12.8XMS	2	-
19	SF0201025	SCREW HEX M8X1.25X25X8.8XZN	2	-
20	SF0401131	WASHER PLAIN M8X19X1.5	4	-
21	SF0207003	SCREW PAHD CR M6X1X25X6.6XGR	3	-
22	0088390	ADOPTER DRAIN PLUG	1	-
23	58392	COPPER WASHER	1	-
24	-	-	-	-
25	-	-	-	-
26	-	-	-	-
27	-	-	-	-
28	-	-	-	-
29	-	-	-	-
30	-	-	-	-
31	-	-	-	-
32	-	-	-	-
33	-	-	-	-
34	-	-	-	-
35	-	-	-	-
36	-	-	-	-
37	-	-	-	-
38	-	-	-	-
39	-	-	-	-
40	-	-	-	-
41	-	-	-	-
42	-	-	-	-
43	-	-	-	-
44	-	-	-	-
45	-	-	-	-
46	-	-	-	-
47	-	-	-	-
48	-	-	-	-
49	-	-	-	-
50	-	-	-	-

COOLING SYSTEM BS4



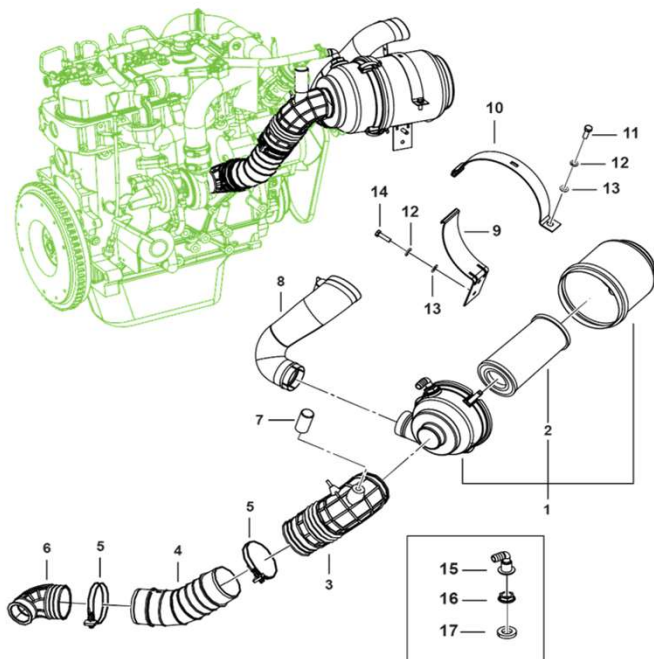
1	0304AAB01111N	RADIATOR ASSEMBLY	1	-
2	0304DB0280N	HOSE RADIATOR OUTLET	1	-
3	SF0703017	HOSE CLIP W M50X0.96X12.8XMS	4	-
4	0304DAB01870N	HOSE RADIATOR INLET	1	-
5	SF0303014	NUT HEX FL M8X1.25X8.5X8	4	-
6	SF0401012	WASHER PLAIN M8X16X1.5XZN5	8	-
7	SF0508004	RIVET RND HD BLIND 4.8X15	1	-
8	0084234	BRKT FOR WATER RECOVERY TANK	1	-
9	0304DB0450N	ASSEMBLY WATER RECOVERY TANK	1	-
10	0304DB0440N	HOSE RADIATOR TO WATER RECOVERY TANK	1	-
11	SF0402008	WASHER SPRING L M8X14.8X2XZN51	4	-
12	SF0201025	SCREW HEX M8X1.25X25X8.8XZN	4	-
13	-	-	-	-
14	-	-	-	-
15	-	-	-	-
16	-	-	-	-
17	-	-	-	-
18	-	-	-	-
19	-	-	-	-
20	-	-	-	-
21	-	-	-	-
22	-	-	-	-
23	-	-	-	-
24	-	-	-	-
25	-	-	-	-
26	-	-	-	-
27	-	-	-	-
28	-	-	-	-
29	-	-	-	-
30	-	-	-	-
31	-	-	-	-
32	-	-	-	-
33	-	-	-	-
34	-	-	-	-
35	-	-	-	-
36	-	-	-	-
37	-	-	-	-
38	-	-	-	-
39	-	-	-	-
40	-	-	-	-
41	-	-	-	-
42	-	-	-	-
43	-	-	-	-
44	-	-	-	-
45	-	-	-	-
46	-	-	-	-
47	-	-	-	-
48	-	-	-	-
49	-	-	-	-
50	-	-	-	-

FAN SHROUD BS4



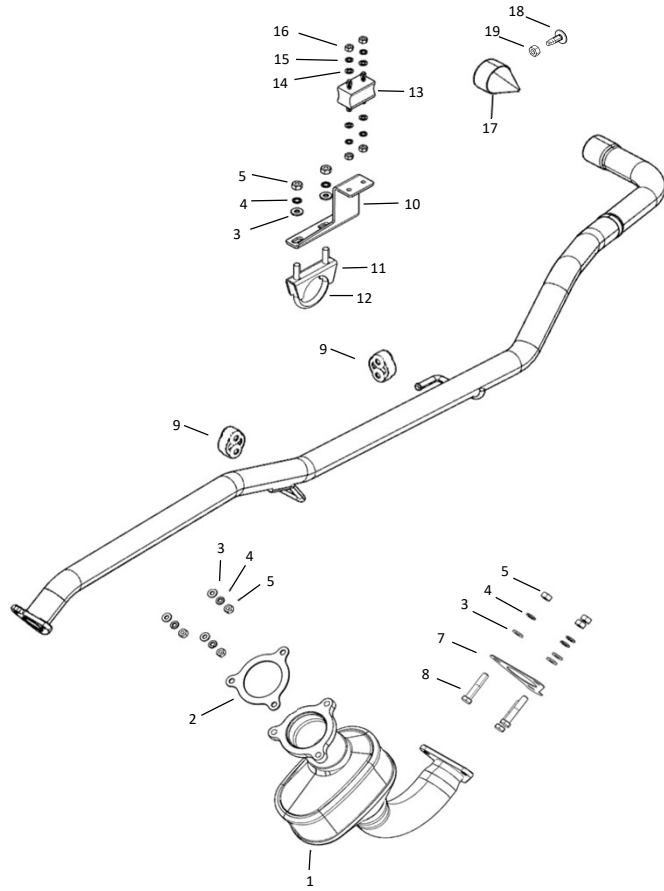
1	0304FAB00771N	FAN SHROUD	1	-
2	0304FAB00791N	BRACKET - FAN SHROUD	2	-
3	0000UA00411N	UNUT - M6	4	-
4	0000UA00061N	SCREW - M6X1X19 LARGE HEAD TORX	4	-
5	-	-	-	-
6	-	-	-	-
7	-	-	-	-
8	-	-	-	-
9	-	-	-	-
10	-	-	-	-
11	-	-	-	-
12	-	-	-	-
13	-	-	-	-
14	-	-	-	-
15	-	-	-	-
16	-	-	-	-
17	-	-	-	-
18	-	-	-	-
19	-	-	-	-
20	-	-	-	-
21	-	-	-	-
22	-	-	-	-
23	-	-	-	-
24	-	-	-	-
25	-	-	-	-
26	-	-	-	-
27	-	-	-	-
28	-	-	-	-
29	-	-	-	-
30	-	-	-	-
31	-	-	-	-
32	-	-	-	-
33	-	-	-	-
34	-	-	-	-
35	-	-	-	-
36	-	-	-	-
37	-	-	-	-
38	-	-	-	-
39	-	-	-	-
40	-	-	-	-
41	-	-	-	-
42	-	-	-	-
43	-	-	-	-
44	-	-	-	-
45	-	-	-	-
46	-	-	-	-
47	-	-	-	-
48	-	-	-	-
49	-	-	-	-
50	-	-	-	-

AIR INTAKE SYSTEM BS4



1	0313AB1960N	AIR FILTER ASSEMBLY	-	-
2	0313AC0280N	AIR FILTER ELEMENT	-	-
3	0313AC1720N	HOSE AIR CLEANER UPPER	-	-
4	0313AB0420N	CONNECTOR HOSE AIR CLEANER	-	-
5	0313AC1900N	WIRE CLAMP 78-86	-	-
6	0313AC1730N	HOSE AIR CLEANER LOWER	-	-
7	0313AG0230N	SERVICE INDICATOR	-	-
8	0313AB1700N	ASSY HOSE AIR INTAKE	-	-
9	01010N0070N	CLAMP AIR CLEANER SUPPORT	-	-
10	01010N0080N	CLAMP AIR CLEANER	-	-
11	SF0201025	SCREW HEX M6X1X16X8.8	-	-
12	SF0402008	WASHER SPRING L M8X14.8X2XZN51	-	-
13	SF0401012	WASHER PLAIN M8X16X1.5XZN5	-	-
14	SF0201027	BOLT HEX HD M8 x 1.25 - 35	-	-
15	0309AAB00041N	FITTING CRANKCASE HOSE	-	-
16	0309AAB00151N	NUT FITTING TO AIRBOX	-	-
17	0309AAB00141N	GASKET CCV VALVE TO AIRBOX	-	-
18	-	-	-	-
19	-	-	-	-
20	-	-	-	-
21	-	-	-	-
22	-	-	-	-
23	-	-	-	-
24	-	-	-	-
25	-	-	-	-
26	-	-	-	-
27	-	-	-	-
28	-	-	-	-
29	-	-	-	-
30	-	-	-	-
31	-	-	-	-
32	-	-	-	-
33	-	-	-	-
34	-	-	-	-
35	-	-	-	-
36	-	-	-	-
37	-	-	-	-
38	-	-	-	-
39	-	-	-	-
40	-	-	-	-
41	-	-	-	-
42	-	-	-	-
43	-	-	-	-
44	-	-	-	-
45	-	-	-	-
46	-	-	-	-
47	-	-	-	-
48	-	-	-	-
49	-	-	-	-
50	-	-	-	-

EXHAUST SYSTEM BS4

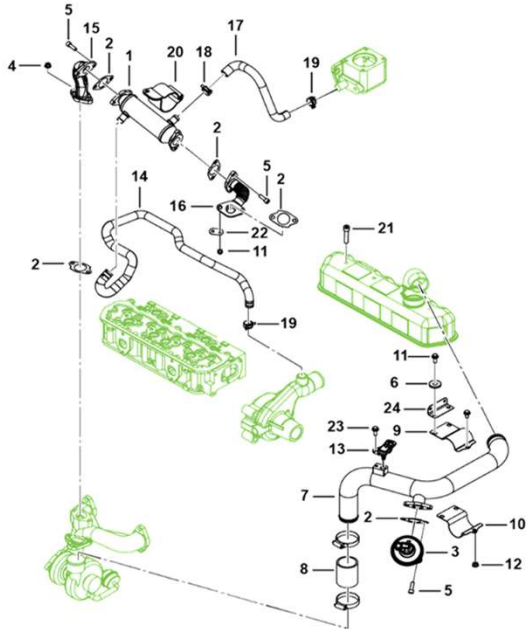


6

1	0903AUA00011N	CATALYTIC CONVERTER	1	-
2	0903BA0300N	GASKET - CONVERTER	1	-
3	SF0401012	WASHER PLAIN M8	8	-
4	6508212	LOCK WASHER SPRING M8	8	-
5	SF0301009	NUT HEX M8X1.25XX6.5X8XZN	8	-
6	0903AUA00211N	EXHAUST TAIL PIPE	1	-
7	0903BUA00021N	GASKET - TAIL PIPE	1	-
8	2108264	SCREW HEX FL M8X1.25X40X8.8	3	-
9	0093811	INSULATOR	2	-
10	0029722	BRACKET TAIL PIPE SUPPORT	1	-
11	09030A0040N	CLAMP - 2 INCH	1	-
12	09030A0030N	U BOLT - 2 INCH	1	-
13	0065138	INSULATOR	1	-
14	SF0401004	WASHER PLAIN M6X12.5X1.6XZN5	4	-
15	SF0402006	WASHER SPRING L M6X11.8X1.6XPH	4	-
16	SF0301005	NUT HEX M6X1X5X8XZN	4	-
17	0902BUA00021N	SPARK ARRESTOR	1	-
18	0000AJA00061N	SCREW-M6X1X19-TORX-LARGE CROWN WASHER	1	-
19	-	-	1	-
20	-	-	-	-
21	-	-	-	-
22	-	-	-	-
23	-	-	-	-
24	-	-	-	-
25	-	-	-	-
26	-	-	-	-
27	-	-	-	-
28	-	-	-	-
29	-	-	-	-
30	-	-	-	-
31	-	-	-	-
32	-	-	-	-
33	-	-	-	-
34	-	-	-	-
35	-	-	-	-
36	-	-	-	-
37	-	-	-	-
38	-	-	-	-
39	-	-	-	-
40	-	-	-	-
41	-	-	-	-
42	-	-	-	-
43	-	-	-	-
44	-	-	-	-
45	-	-	-	-
46	-	-	-	-
47	-	-	-	-
48	-	-	-	-
49	-	-	-	-
50	-	-	-	-

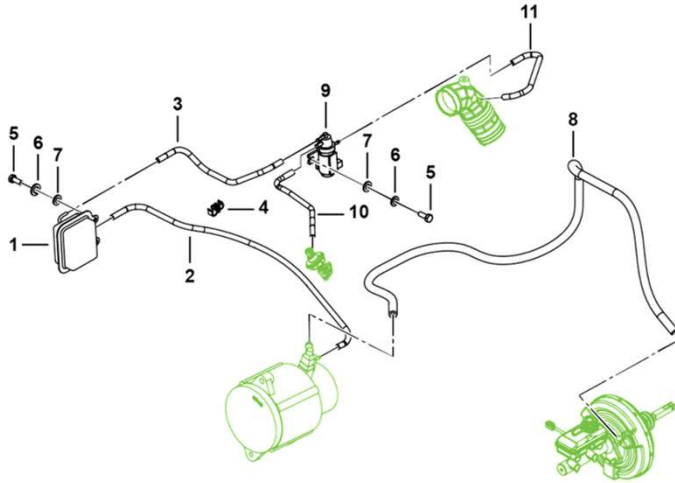


EMISSION CONTROL SYSTEM BS4



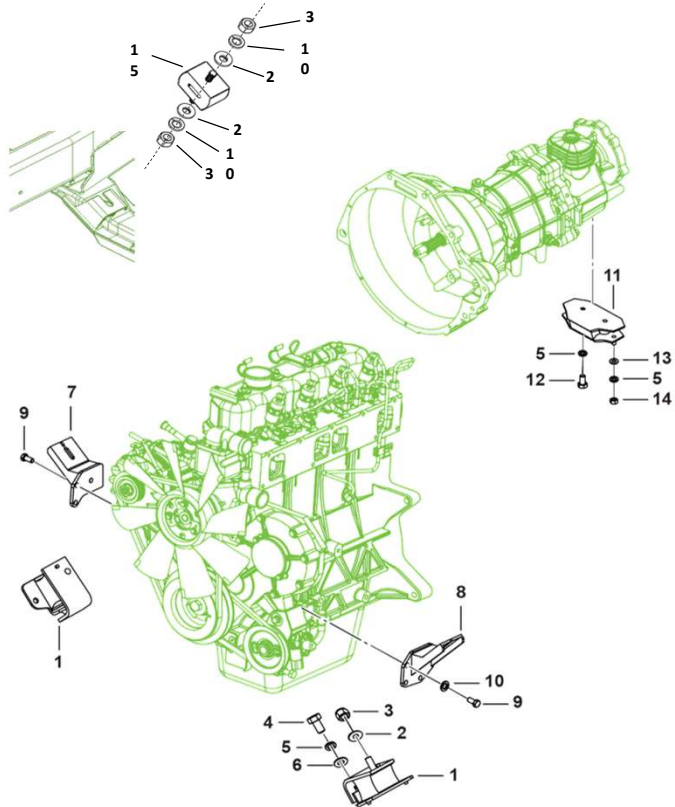
1	0309DAB00541N	EGR COOLER ASSY	1	-
2	0022672	GASKET EGR PIPE FLANGE	2	-
3	0309DC0311N	EGR VALVE 30 MM	1	-
4	57080A0050N	FLANGE CLINCH NUT M8 x 1.25	2	-
5	SF0224005	SCREW SOCKET M8X1.25X25X10.9XZN	4	-
6	0091041	WASHER SEAL ROCKER COVER	2	-
7	0302CAB00210N	AIR INTAKE PIPE ASSY	1	-
8	0313AB0150N	HOSE AIR TURBO SIDE	1	-
9	0313AB1140N	BRACKET AIR INTAKE UPPER	1	-
10	0313AB1150N	BRKT AIR INTAKE LOWER	1	-
11	SF0202006	SCREW HEX FL M8X1.25X15X8_8XZN	3	-
12	SF0301009	NUT HEX M8X1.25X6.5X8XZN	1	-
13	0315CAM00160N	SENSOR BOOST PRESSURE	1	-
14	0304DAB02100N	HOSE EGR COOLER OUTLET	1	-
15	0309DAB00550N	PIPE EGR COOLER INLET	1	-
16	0309DAB00561N	PIPE EGR COOLER OUTLET	1	-
17	0304DAB01890N	HOSE EGR COOLER INLET	1	-
18	SF0705036	CLAMP SPRING BAND 24X12X1.3 (EGR SIDE)	1	-
19	SF0705038	CLAMP SPRING BAND 22X12X1.3 (THERMOSIDE)	1	-
20	0309DAB00450N	EGR COOLER SUPPORT BRACKET	1	-
21	SF0224019	SCREW SOCKET M8X1.25X40	4	-
22	0023232	CLIP WIRING	1	-
23	SF0202002	SCREW HEX FL M6X1X12X8.8XPH	1	-
24	0306DAB00130N	CLIP WIRING HARNESS	1	-
25	-	-	-	-
26	-	-	-	-
27	-	-	-	-
28	-	-	-	-
29	-	-	-	-
30	-	-	-	-
31	-	-	-	-
32	-	-	-	-
33	-	-	-	-
34	-	-	-	-
35	-	-	-	-
36	-	-	-	-
37	-	-	-	-
38	-	-	-	-
39	-	-	-	-
40	-	-	-	-
41	-	-	-	-
42	-	-	-	-
43	-	-	-	-
44	-	-	-	-
45	-	-	-	-
46	-	-	-	-
47	-	-	-	-
48	-	-	-	-
49	-	-	-	-
50	-	-	-	-

VACUUM SYSTEM BS4



1	0309DA0050N	VACUUM RESERVOIR	1	-
2	0315DAB00191N	VACUUM HOSE PUMP TO RESERVOIR (BLACK)	NS	-
3	0315DAB00201N	VACUUM HOSE RESERVOIR TO MODULATOR (GREEN)	NS	-
4	1001CAA13410N	CLIP FUEL LINE	1	-
5	SF0201119	SCREW HEX M6X1X16X8.8	4	-
6	SF0402005	WASHER SPRING L M6X11.8X1.6XZN5	4	-
7	SF0401004	WASHER PLAIN M6X12.5X1.6XZN5	4	-
8	1602AJA00031N	HOSE VACUUM PUMP TO BOOSTER	1	-
9	0309DAU00261N	VACUUM MODULATOR	1	-
10	0315DAB00181N	VACUUM HOSE MODULATOR TO EGR (BLUE)	NS	-
11	0315DAB00211N	VACUUM HOSE VENT EGR TO AIR DUCT (YELLOW)	NS	-
12	0309DAB01010N	KIT VACUUM LINE (ITEMS 2,3,10,11)	1	-
13	-	-	-	-
14	-	-	-	-
15	-	-	-	-
16	-	-	-	-
17	-	-	-	-
18	-	-	-	-
19	-	-	-	-
20	-	-	-	-
21	-	-	-	-
22	-	-	-	-
23	-	-	-	-
24	-	-	-	-
25	-	-	-	-
26	-	-	-	-
27	-	-	-	-
28	-	-	-	-
29	-	-	-	-
30	-	-	-	-
31	-	-	-	-
32	-	-	-	-
33	-	-	-	-
34	-	-	-	-
35	-	-	-	-
36	-	-	-	-
37	-	-	-	-
38	-	-	-	-
39	-	-	-	-
40	-	-	-	-
41	-	-	-	-
42	-	-	-	-
43	-	-	-	-
44	-	-	-	-
45	-	-	-	-
46	-	-	-	-
47	-	-	-	-
48	-	-	-	-
49	-	-	-	-
50	-	-	-	-

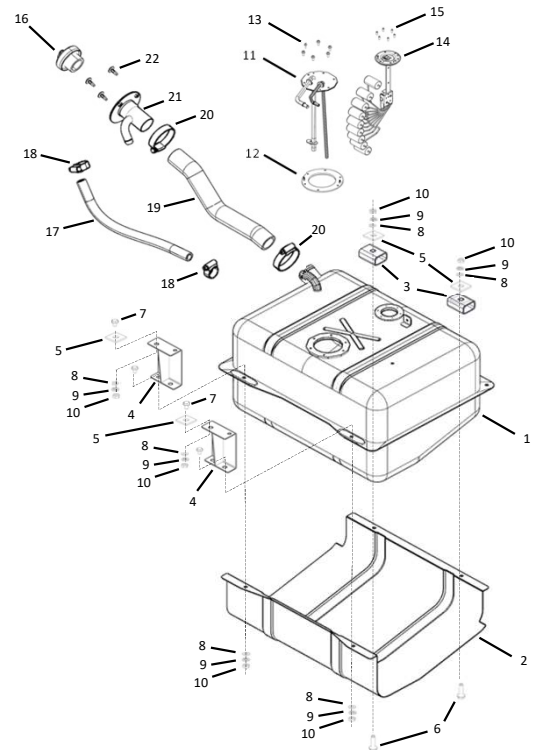
POWERTRAIN MOUNTS



1	99828	INSULATOR - FRONT	2	-
2	SF0401105	WASHER - PLAIN M12	4	-
3	SF0302044	NUT - NYLOC M12X1.25	4	-
4	7903201048	BOLT - HEX HD M10 1.5X35	4	-
5	SF0402011	WASHER - SPRING M10	10	-
6	SF0401052	WASHER - PLAIN G9.5X20.6X1.65	4	-
7	0302AB0360N	BRACKET - ENGINE RH	1	-
8	94025	BRACKET - ENGINE LH	1	-
9	24720	SCREW - HEX M12X1.5X25X10.9XZN	7	-
10	52385	WASHER - SPRING M12	9	-
11	0203AD0050N	INSULATOR - REAR SUPPORT	1	-
12	SF0201143	SCREW HEX M10X1.25X18X8.8	1	-
13	SF0401016	WASHER PLAIN M10X22X1.6XZN5	4	-
14	SF0301011	NUT HEX M10X1.25X8X8XZN	2	-
15	93165	INSULATOR - T/F CASE MTG	1	-
16	-	-	-	-
17	-	-	-	-
18	-	-	-	-
19	-	-	-	-
20	-	-	-	-
21	-	-	-	-
22	-	-	-	-
23	-	-	-	-
24	-	-	-	-
25	-	-	-	-
26	-	-	-	-
27	-	-	-	-
28	-	-	-	-
29	-	-	-	-
30	-	-	-	-
31	-	-	-	-
32	-	-	-	-
33	-	-	-	-
34	-	-	-	-
35	-	-	-	-
36	-	-	-	-
37	-	-	-	-
38	-	-	-	-
39	-	-	-	-
40	-	-	-	-
41	-	-	-	-
42	-	-	-	-
43	-	-	-	-
44	-	-	-	-
45	-	-	-	-
46	-	-	-	-
47	-	-	-	-
48	-	-	-	-
49	-	-	-	-
50	-	-	-	-

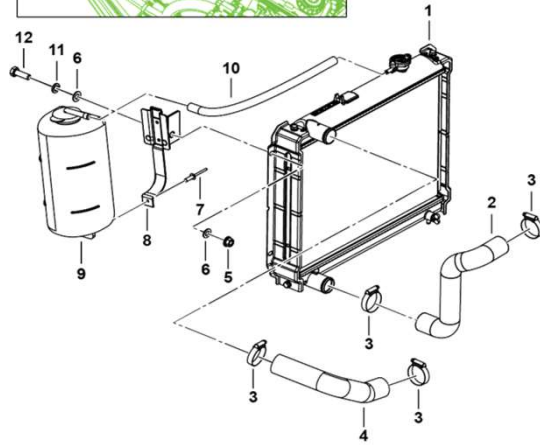
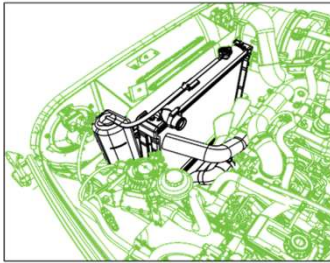


FUEL STORAGE BS4



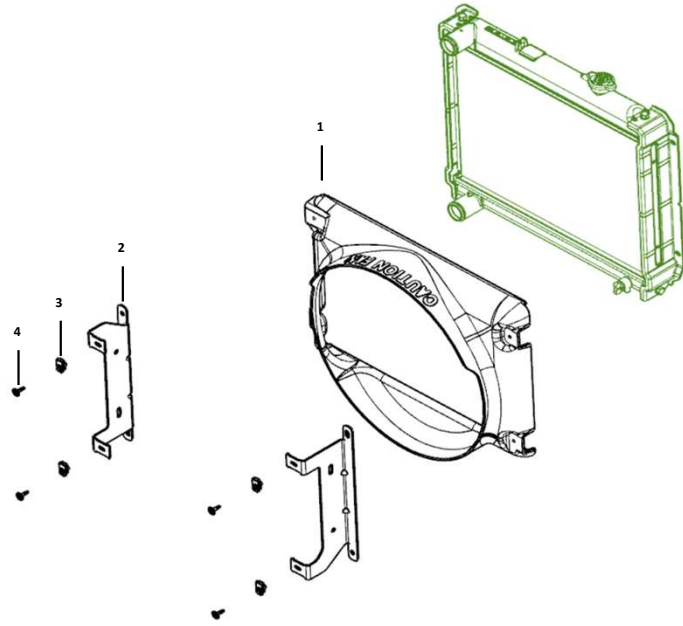
1	1001AU00200N	FUEL TANK ASSY	1	-
2	1001BA0050N	SKID PLATE FUEL TANK	1	-
3	1001AU00281N	SPACER ASSEMBLY FUEL TANK REAR	2	-
4	1001AU00220N	BRACKET ASM - FUEL TANK FRT	2	-
5	0010218	RUBBER PACKING	4	-
6	SF0103151	BOLT COMBI LP M8X1.25X45X8.8	2	-
7	SF0103054	BOLT HEX HD M8X1.25X20 COMBI	4	-
8	SF0401012	WASHER PLAIN M8X16X1.5XZN5	6	-
9	SF0402008	WASHER SPRING L M8X14.8X2XZN51	6	-
10	SF0301009	NUT HEX M8X1.25XX6.5X8XZN	6	-
11	1001CA4110N	ASSY STRAINER FUEL TANK CRDE	1	-
12	1001AA1560N	GASKET STRAINER	1	-
13	SF0227007	SCREW HCC LP M5X0.8X14X8.8XGR	6	-
14	1303AAA00901N	FUEL FLOAT ASSY.	1	-
15	3304206	SCREW - PAN HD M4X0.7X12	6	-
16	1001AAB01301N	CAP FILLER DSL	1	-
17	0094004	HOSE ASSY VENT TUBE FUEL TANK	1	-
18	0062146	HOSE CLAMP(22-30) NO.1A	2	-
19	0076875	HOSE FUEL TANK TO FILLER NECK.	1	-
20	SF0703026	HOSE CLIP W M55X0.96X12.5XMS	2	-
21	1001DA0200N	FUEL FILLER NECK ASSY	1	-
22	0000AU00061N	SCREW-M6X1X19-TORX-LARGE CROWN WA	3	-
-	-	-	-	-
-	-	-	-	-
-	-	-	-	-
-	-	-	-	-
-	-	-	-	-
-	-	-	-	-
-	-	-	-	-
-	-	-	-	-
-	-	-	-	-
-	-	-	-	-
-	-	-	-	-
-	-	-	-	-
-	-	-	-	-
-	-	-	-	-
-	-	-	-	-
-	-	-	-	-
-	-	-	-	-
-	-	-	-	-
-	-	-	-	-
-	-	-	-	-
-	-	-	-	-
-	-	-	-	-
-	-	-	-	-
-	-	-	-	-
-	-	-	-	-
-	-	-	-	-
-	-	-	-	-
-	-	-	-	-
-	-	-	-	-
-	-	-	-	-

COOLING SYSTEM DT4



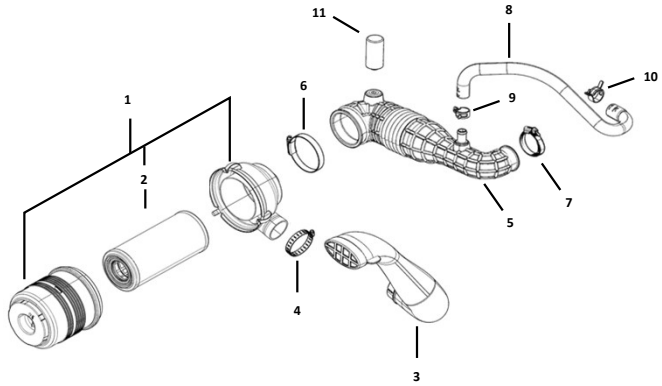
1	0304AAB01111N	RADIATOR ASSEMBLY	1	-
2	0304DB0280N	HOSE RADIATOR OUTLET	1	-
3	SF0703017	HOSE CLIP W M50X0.96X12.8XMS	4	-
4	0304CAB00141N	HOSE RADIATOR INLET	1	-
5	SF0303014	NUT HEX FL M8X1.25X8.5X8	4	-
6	SF0401012	WASHER PLAIN M8X16X1.5XZN5	8	-
7	SF0508004	RIVET RND HD BLIND 4.8X15	1	-
8	0084234	BRKT FOR WATER RECOVERY TANK	1	-
9	0304DB0450N	ASSEMBLY WATER RECOVERY TANK	1	-
10	0304DB0440N	HOSE RADIATOR TO WATER RECOVERY TANK	1	-
11	SF0402008	WASHER SPRING L M8X14.8X2XZN51	4	-
12	SF0201025	SCREW HEX M8X1.25X25X8.8XZN	4	-
13	-	-	-	-
14	-	-	-	-
15	-	-	-	-
16	-	-	-	-
17	-	-	-	-
18	-	-	-	-
19	-	-	-	-
20	-	-	-	-
21	-	-	-	-
22	-	-	-	-
23	-	-	-	-
24	-	-	-	-
25	-	-	-	-
26	-	-	-	-
27	-	-	-	-
28	-	-	-	-
29	-	-	-	-
30	-	-	-	-
31	-	-	-	-
32	-	-	-	-
33	-	-	-	-
34	-	-	-	-
35	-	-	-	-
36	-	-	-	-
37	-	-	-	-
38	-	-	-	-
39	-	-	-	-
40	-	-	-	-
41	-	-	-	-
42	-	-	-	-
43	-	-	-	-
44	-	-	-	-
45	-	-	-	-
46	-	-	-	-
47	-	-	-	-
48	-	-	-	-
49	-	-	-	-
50	-	-	-	-

FAN SHROUD BS4



1	0304FAB00771N	FAN SHROUD	1	-
2	0304FAB00791N	BRACKET - FAN SHROUD	2	-
3	0000UA00411N	UNUT - M6	4	-
4	0000UA00061N	SCREW - M6X1X19 LARGE HEAD TORX	4	-
5	-	-	-	-
6	-	-	-	-
7	-	-	-	-
8	-	-	-	-
9	-	-	-	-
10	-	-	-	-
11	-	-	-	-
12	-	-	-	-
13	-	-	-	-
14	-	-	-	-
15	-	-	-	-
16	-	-	-	-
17	-	-	-	-
18	-	-	-	-
19	-	-	-	-
20	-	-	-	-
21	-	-	-	-
22	-	-	-	-
23	-	-	-	-
24	-	-	-	-
25	-	-	-	-
26	-	-	-	-
27	-	-	-	-
28	-	-	-	-
29	-	-	-	-
30	-	-	-	-
31	-	-	-	-
32	-	-	-	-
33	-	-	-	-
34	-	-	-	-
35	-	-	-	-
36	-	-	-	-
37	-	-	-	-
38	-	-	-	-
39	-	-	-	-
40	-	-	-	-
41	-	-	-	-
42	-	-	-	-
43	-	-	-	-
44	-	-	-	-
45	-	-	-	-
46	-	-	-	-
47	-	-	-	-
48	-	-	-	-
49	-	-	-	-
50	-	-	-	-

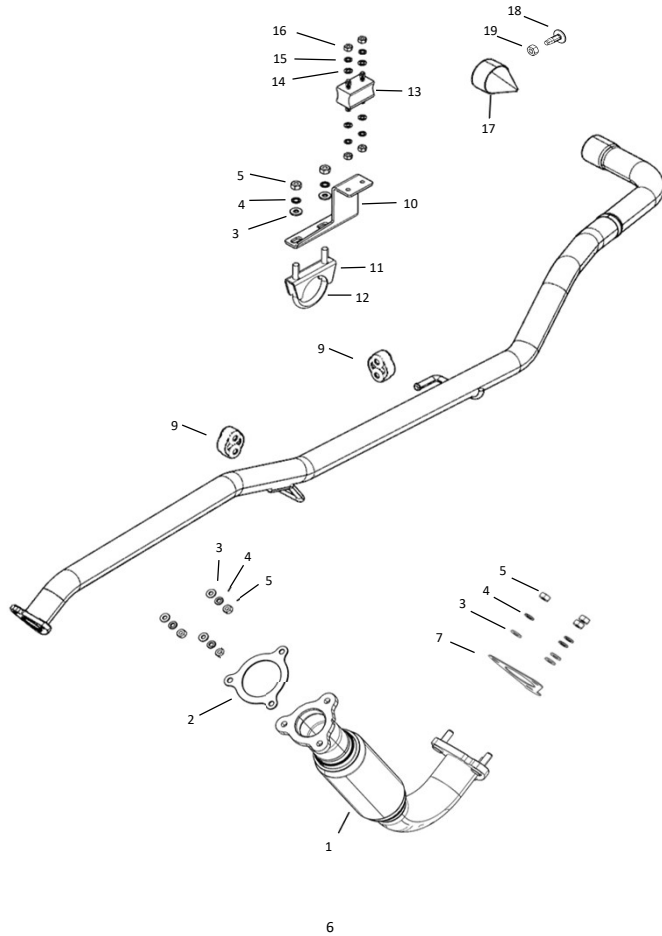
AIR INTAKE SYSTEM DT4



1	0313AB1960N	AIR FILTER ASSEMBLY	1	-
2	0313AC0280N	AIR FILTER ELEMENT	1	-
3	0313AB1700N	ASSY HOSE AIR INTAKE	1	-
4	0062139	CLAMP AIR CLEANER	1	-
5	0313AAB03390N	HOSE ASSY - AIR CLEANER	1	-
6	SF0703024	HOSE CLIP W M80X0.78X12.1XSS	1	-
7	SF0700017	CLAMP SPECIAL M43X0.8X12	1	-
8	0313AB1700N	ASSY HOSE AIR INTAKE	1	-
9	01010N0070N	CLAMP AIR CLEANER SUPPORT	1	-
10	01010N0080N	CLAMP AIR CLEANER	1	-
11	0313AG0230N	SERVICE INDICATOR	1	-
12	-	-	-	-
13	-	-	-	-
14	-	-	-	-
15	-	-	-	-
16	-	-	-	-
17	-	-	-	-
18	-	-	-	-
19	-	-	-	-
20	-	-	-	-
21	-	-	-	-
22	-	-	-	-
23	-	-	-	-
24	-	-	-	-
25	-	-	-	-
26	-	-	-	-
27	-	-	-	-
28	-	-	-	-
29	-	-	-	-
30	-	-	-	-
31	-	-	-	-
32	-	-	-	-
33	-	-	-	-
34	-	-	-	-
35	-	-	-	-
36	-	-	-	-
37	-	-	-	-
38	-	-	-	-
39	-	-	-	-
40	-	-	-	-
41	-	-	-	-
42	-	-	-	-
43	-	-	-	-
44	-	-	-	-
45	-	-	-	-
46	-	-	-	-
47	-	-	-	-
48	-	-	-	-
49	-	-	-	-
50	-	-	-	-

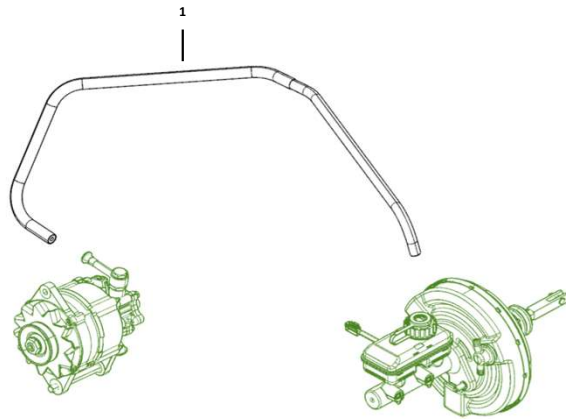


EXHAUST SYSTEM DT4



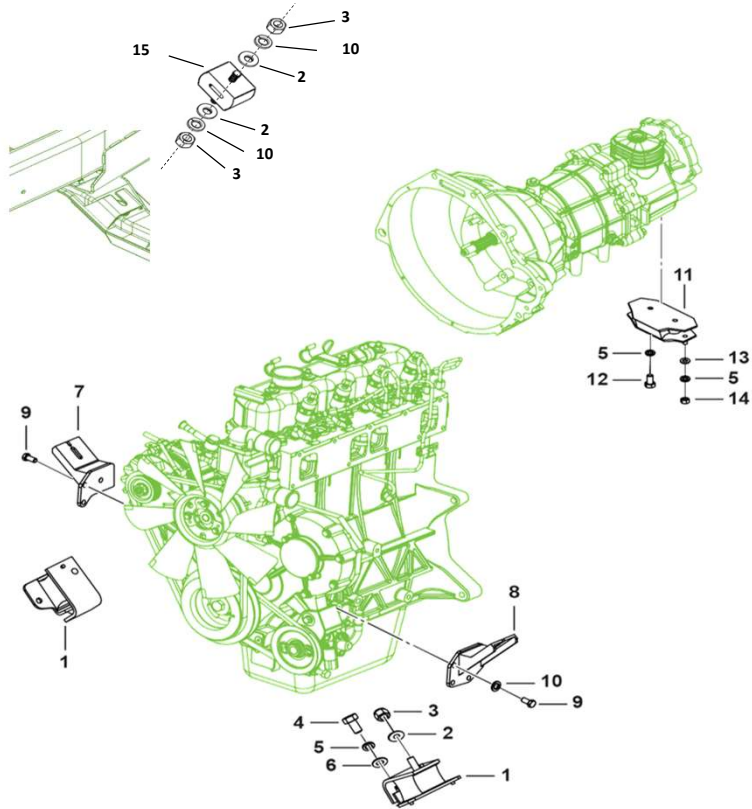
1	0903AAA17651N	PIPE - EXHAUST FRONT	1	-
2	0903BA0300N	GASKET - CONVERTER	1	-
3	SF0401012	WASHER PLAIN M8	8	-
4	6508212	LOCK WASHER SPRING M8	8	-
5	SF0301009	NUT HEX M8X1.25XX6.5X8XZN	8	-
6	0903AU00211N	EXHAUST TAIL PIPE	1	-
7	0903BUA00021N	GASKET - TAIL PIPE	1	-
8	2108264	SCREW HEX FL M8X1.25X40X8.8	3	-
9	0093811	INSULATOR	2	-
10	0029722	BRACKET TAIL PIPE SUPPORT	1	-
11	09030A0040N	CLAMP - 2 INCH	1	-
12	09030A0030N	U BOLT - 2 INCH	1	-
13	0065138	INSULATOR	1	-
14	SF0401004	WASHER PLAIN M6X12.5X1.6XZN5	4	-
15	SF0402006	WASHER SPRING L M6X11.8X1.6XPH	4	-
16	SF0301005	NUT HEX M6X1X5X8XZN	4	-
17	0902BUA00021N	SPARK ARRESTOR	1	-
18	0000AU00061N	SCREW-M6X1X19-TORX-LARGE CROWN WASHER	1	-
19	NUT PN?	NUT - M6 (MAY BE POA ITEM 17)	1	-
20	-	-	-	-
21	-	-	-	-
22	-	-	-	-
23	-	-	-	-
24	-	-	-	-
25	-	-	-	-
26	-	-	-	-
27	-	-	-	-
28	-	-	-	-
29	-	-	-	-
30	-	-	-	-
31	-	-	-	-
32	-	-	-	-
33	-	-	-	-
34	-	-	-	-
35	-	-	-	-
36	-	-	-	-
37	-	-	-	-
38	-	-	-	-
39	-	-	-	-
40	-	-	-	-
41	-	-	-	-
42	-	-	-	-
43	-	-	-	-
44	-	-	-	-
45	-	-	-	-
46	-	-	-	-
47	-	-	-	-
48	-	-	-	-
49	-	-	-	-
50	-	-	-	-

VACUUM SYSTEM DT4



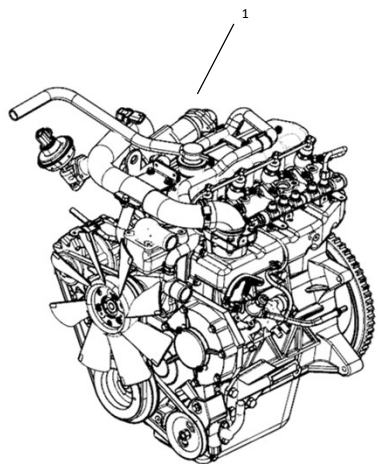
	1602AUJA00040N	HOSE - VACUUM DT4		
1			-	-
2	-	-	-	-
3	-	-	-	-
4	-	-	-	-
5	-	-	-	-
6	-	-	-	-
7	-	-	-	-
8	-	-	-	-
9	-	-	-	-
10	-	-	-	-
11	-	-	-	-
12	-	-	-	-
13	-	-	-	-
14	-	-	-	-
15	-	-	-	-
16	-	-	-	-
17	-	-	-	-
18	-	-	-	-
19	-	-	-	-
20	-	-	-	-
21	-	-	-	-
22	-	-	-	-
23	-	-	-	-
24	-	-	-	-
25	-	-	-	-
26	-	-	-	-
27	-	-	-	-
28	-	-	-	-
29	-	-	-	-
30	-	-	-	-
31	-	-	-	-
32	-	-	-	-
33	-	-	-	-
34	-	-	-	-
35	-	-	-	-
36	-	-	-	-
37	-	-	-	-
38	-	-	-	-
39	-	-	-	-
40	-	-	-	-
41	-	-	-	-
42	-	-	-	-
43	-	-	-	-
44	-	-	-	-
45	-	-	-	-
46	-	-	-	-
47	-	-	-	-
48	-	-	-	-
49	-	-	-	-
50	-	-	-	-

POWERTRAIN MOUNTS



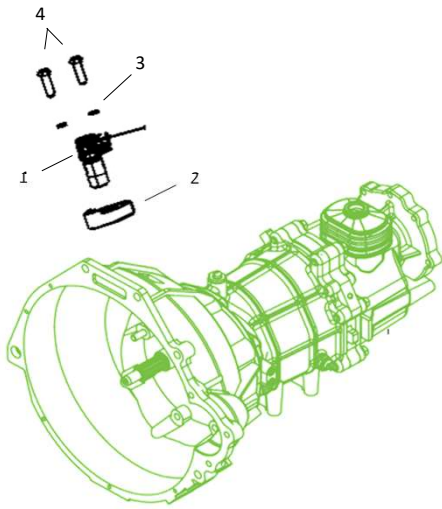
1	99828	INSULATOR - FRONT	2	-
2	SF0401105	WASHER - PLAIN M12	4	-
3	SF0302044	NUT - NYLOC M12X1.25	4	-
4	7903201048	BOLT - HEX HD M10 1.5X35	4	-
5	SF0402011	WASHER - SPRING M10	10	-
6	SF0401052	WASHER - PLAIN G9.5X20.6X1.65	4	-
7	0302AB0360N	BRACKET - ENGINE RH	1	-
8	94025	BRACKET - ENGINE LH	1	-
9	24720	SCREW - HEX M12X1.5X25X10.9XZN	7	-
10	52385	WASHER - SPRING M12	9	-
11	0203AD0050N	INSULATOR - REAR SUPPORT	1	-
12	SF0201143	SCREW HEX M10X1.25X18X8.8	1	-
13	SF0401016	WASHER PLAIN M10X22X1.6XZN5	4	-
14	SF0301011	NUT HEX M10X1.25X8X8XZN	2	-
15	93165	INSULATOR - T/F CASE MTG	1	-
16	-	-	-	-
17	-	-	-	-
18	-	-	-	-
19	-	-	-	-
20	-	-	-	-
21	-	-	-	-
22	-	-	-	-
23	-	-	-	-
24	-	-	-	-
25	-	-	-	-
26	-	-	-	-
27	-	-	-	-
28	-	-	-	-
29	-	-	-	-
30	-	-	-	-
31	-	-	-	-
32	-	-	-	-
33	-	-	-	-
34	-	-	-	-
35	-	-	-	-
36	-	-	-	-
37	-	-	-	-
38	-	-	-	-
39	-	-	-	-
40	-	-	-	-
41	-	-	-	-
42	-	-	-	-
43	-	-	-	-
44	-	-	-	-
45	-	-	-	-
46	-	-	-	-
47	-	-	-	-
48	-	-	-	-
49	-	-	-	-
50	-	-	-	-

ENGINE - BS4 (2018 - 2022)



1	0301BAB02590N	ENGINE ASSEMBLY 2.5L BS4	-	-
2	-	-	-	-
3	-	-	-	-
4	-	-	-	-
5	-	-	-	-
6	-	-	-	-
7	-	-	-	-
8	-	-	-	-
9	-	-	-	-
10	-	-	-	-
11	-	-	-	-
12	-	-	-	-
13	-	-	-	-
14	-	-	-	-
15	-	-	-	-
16	-	-	-	-
17	-	-	-	-
18	-	-	-	-
19	-	-	-	-
20	-	-	-	-
21	-	-	-	-
22	-	-	-	-
23	-	-	-	-
24	-	-	-	-
25	-	-	-	-
26	-	-	-	-
27	-	-	-	-
28	-	-	-	-
29	-	-	-	-
30	-	-	-	-
31	-	-	-	-
32	-	-	-	-
33	-	-	-	-
34	-	-	-	-
35	-	-	-	-
36	-	-	-	-
37	-	-	-	-
38	-	-	-	-
39	-	-	-	-
40	-	-	-	-
41	-	-	-	-
42	-	-	-	-
43	-	-	-	-
44	-	-	-	-
45	-	-	-	-
46	-	-	-	-
47	-	-	-	-
48	-	-	-	-
49	-	-	-	-
50	-	-	-	-

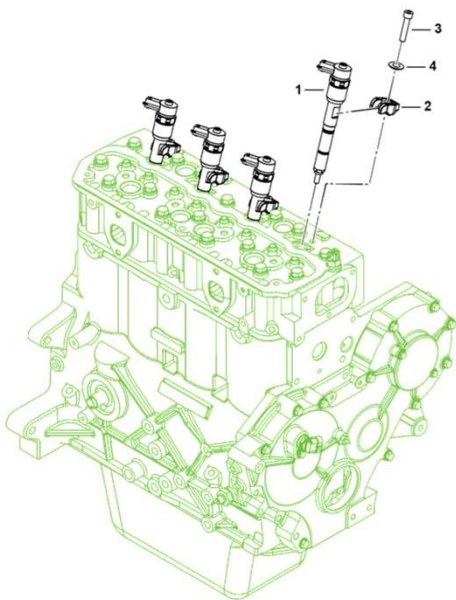
ENGINE - SPEED SENSOR



1	03090C0231N	ENGINE SPEED SENSOR	1	-
2	0315BAB00151N	SPACER - SPEED SENSOR	1	-
3	6506208	WASHER - SPRING M6	2	-
4	2106250	BOLT - HEX HD M6X1X25	2	-
-	-	-	-	-
-	-	-	-	-
-	-	-	-	-
-	-	-	-	-
-	-	-	-	-
-	-	-	-	-
-	-	-	-	-
-	-	-	-	-
-	-	-	-	-
-	-	-	-	-
-	-	-	-	-
-	-	-	-	-
-	-	-	-	-
-	-	-	-	-
-	-	-	-	-
-	-	-	-	-
-	-	-	-	-
-	-	-	-	-
-	-	-	-	-
-	-	-	-	-
-	-	-	-	-
-	-	-	-	-
-	-	-	-	-
-	-	-	-	-
-	-	-	-	-
-	-	-	-	-
-	-	-	-	-
-	-	-	-	-
-	-	-	-	-

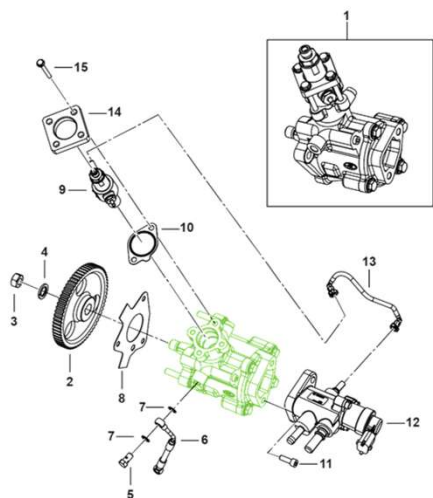


FUEL INJECTION NOZZLE BS4



1	0305BAB02221N	INJECTOR	4	-
2	0305BAB02310N	INJECTOR CLAMP	4	-
3	SF0224019	SCREW SOCKET M8X1.25X40X12.9XBK	4	-
4	0024059	SPHERICAL WASHER C 8.4 DIN 6	4	opt 0305BAB02891N
5	-	-	-	-
6	-	-	-	-
7	-	-	-	-
8	-	-	-	-
9	-	-	-	-
10	-	-	-	-
11	-	-	-	-
12	-	-	-	-
13	-	-	-	-
14	-	-	-	-
15	-	-	-	-
16	-	-	-	-
17	-	-	-	-
18	-	-	-	-
19	-	-	-	-
20	-	-	-	-
21	-	-	-	-
22	-	-	-	-
23	-	-	-	-
24	-	-	-	-
25	-	-	-	-
26	-	-	-	-
27	-	-	-	-
28	-	-	-	-
29	-	-	-	-
30	-	-	-	-
31	-	-	-	-
32	-	-	-	-
33	-	-	-	-
34	-	-	-	-
35	-	-	-	-
36	-	-	-	-
37	-	-	-	-
38	-	-	-	-
39	-	-	-	-
40	-	-	-	-
41	-	-	-	-
42	-	-	-	-
43	-	-	-	-
44	-	-	-	-
45	-	-	-	-
46	-	-	-	-
47	-	-	-	-
48	-	-	-	-
49	-	-	-	-
50	-	-	-	-

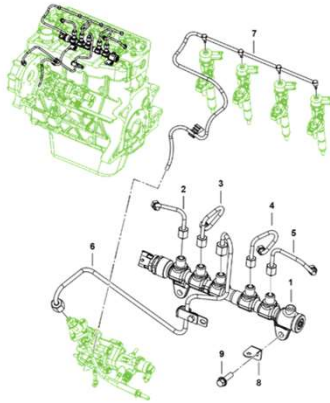
FUEL INJECTION PUMP BS4



1	0305BAB02300N	ASSY FUEL INJ PUMP	1	-
2	0305BB0790N	GEAR INJ PUMP	1	-
3	SF0301084	NUT HEX M14X1.5X11X8	1	-
4	0305BAC00990N	WASHER SPRING LOCK M14	1	-
5	0311AAB00390N	BANJO BOLT - M10X1.0-30	2	-
6	0303EAB00740N	OIL LINE INLET CAMBOX	1	-
7	9420000194	COPPER WASHER	2	-
8	0311AAB00360N	GASKET (CAMBOX)	1	-
9	0305BAB02361N	UNIT PUMP	1	-
10	0305BAU00120N	GASKET (FIP)	1	-
11	SF0224005	SCREW SOCKET M8X1_25X25X10_9XZN	2	-
12	0315DAB00141N	FUEL CONTROL UNIT	1	-
13	0305DAB00621N	FUEL LINE FCU TO PUMP	1	-
14	0305BAU00020N	MOUNTING FLANGE FIP	1	-
15	SF0102053	BOLT HEX FL M6 x 1 - 60	4	-
16	-	-	-	-
17	-	-	-	-
18	-	-	-	-
19	-	-	-	-
20	-	-	-	-
21	-	-	-	-
22	-	-	-	-
23	-	-	-	-
24	-	-	-	-
25	-	-	-	-
26	-	-	-	-
27	-	-	-	-
28	-	-	-	-
29	-	-	-	-
30	-	-	-	-
31	-	-	-	-
32	-	-	-	-
33	-	-	-	-
34	-	-	-	-
35	-	-	-	-
36	-	-	-	-
37	-	-	-	-
38	-	-	-	-
39	-	-	-	-
40	-	-	-	-
41	-	-	-	-
42	-	-	-	-
43	-	-	-	-
44	-	-	-	-
45	-	-	-	-
46	-	-	-	-
47	-	-	-	-
48	-	-	-	-
49	-	-	-	-
50	-	-	-	-

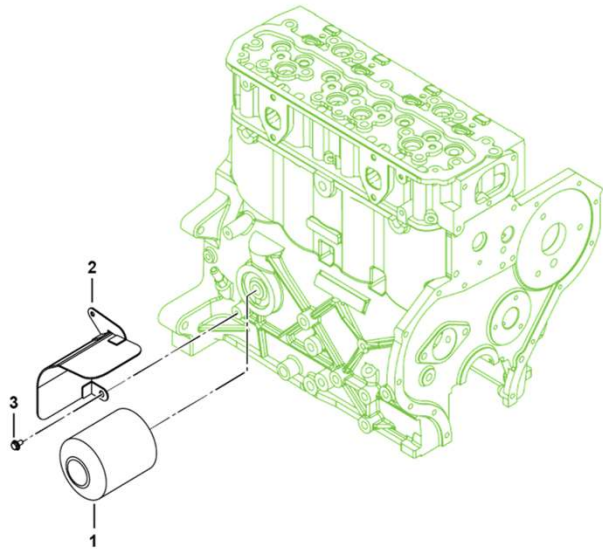


FUEL INJECTION PIPES BS4



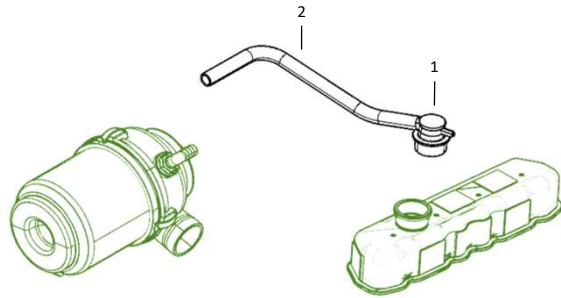
1	0305BAM00260N	COMMON RAIL FUEL INJECTION	1	-
2	0305BAB02180N	ASSY HIGH PRESSURE PIPE 1	1	-
3	0305BAB02190N	ASSY HIGH PRESSURE PIPE 2	1	-
4	0305BAB02200N	ASSY HIGH PRESSURE PIPE 3	1	-
5	0305BAB02210N	ASSY HIGH PRESSURE PIPE 4	1	-
6	0305BAB02170N	HIGH PRESSURE PIPE PUMP TO RAIL	1	-
7	0305DAB00571N	ASSY INJECTOR BACK LEAK	1	-
8	0315BAB00140N	CLIP WIRING HARNESS	2	-
9	SF0102222	BOLT HEX FLANGE M8 x 1.25 - 43	2	-
10	-	-	-	-
11	-	-	-	-
12	-	-	-	-
13	-	-	-	-
14	-	-	-	-
15	-	-	-	-
16	-	-	-	-
17	-	-	-	-
18	-	-	-	-
19	-	-	-	-
20	-	-	-	-
21	-	-	-	-
22	-	-	-	-
23	-	-	-	-
24	-	-	-	-
25	-	-	-	-
26	-	-	-	-
27	-	-	-	-
28	-	-	-	-
29	-	-	-	-
30	-	-	-	-
31	-	-	-	-
32	-	-	-	-
33	-	-	-	-
34	-	-	-	-
35	-	-	-	-
36	-	-	-	-
37	-	-	-	-
38	-	-	-	-
39	-	-	-	-
40	-	-	-	-
41	-	-	-	-
42	-	-	-	-
43	-	-	-	-
44	-	-	-	-
45	-	-	-	-
46	-	-	-	-
47	-	-	-	-
48	-	-	-	-
49	-	-	-	-
50	-	-	-	-

OIL FILTER BS4



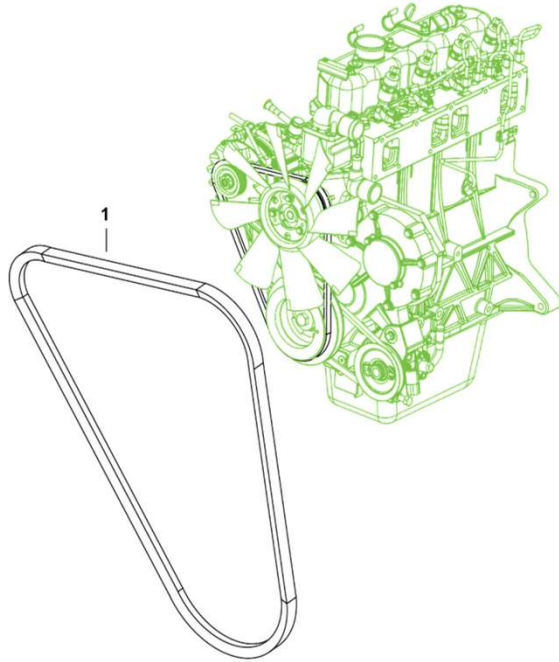
1	0303BC0071N	OIL FILTER CARTRIDGE	1	-
2	0904AA0310N	HEAT SHIELD OIL COOLER	1	-
3	0024630	BOLT FLANGED M10X1.5X25	2	-
4	-	-	-	-
5	-	-	-	-
6	-	-	-	-
7	-	-	-	-
8	-	-	-	-
9	-	-	-	-
10	-	-	-	-
11	-	-	-	-
12	-	-	-	-
13	-	-	-	-
14	-	-	-	-
15	-	-	-	-
16	-	-	-	-
17	-	-	-	-
18	-	-	-	-
19	-	-	-	-
20	-	-	-	-
21	-	-	-	-
22	-	-	-	-
23	-	-	-	-
24	-	-	-	-
25	-	-	-	-
26	-	-	-	-
27	-	-	-	-
28	-	-	-	-
29	-	-	-	-
30	-	-	-	-
31	-	-	-	-
32	-	-	-	-
33	-	-	-	-
34	-	-	-	-
35	-	-	-	-
36	-	-	-	-
37	-	-	-	-
38	-	-	-	-
39	-	-	-	-
40	-	-	-	-
41	-	-	-	-
42	-	-	-	-
43	-	-	-	-
44	-	-	-	-
45	-	-	-	-
46	-	-	-	-
47	-	-	-	-
48	-	-	-	-
49	-	-	-	-
50	-	-	-	-

OIL FILL CAP AND BREATHER HOSE



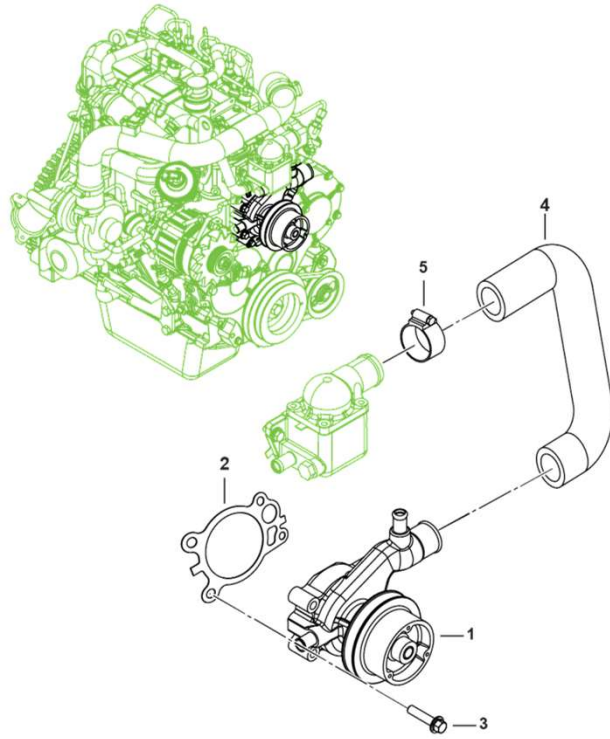
1	0303BB0070N	OIL FILLER ASSY	1	-
2	0303BB0080N	OIL ENAMATION TUBE	1	-
3	-	-	-	-
4	-	-	-	-
5	-	-	-	-
6	-	-	-	-
7	-	-	-	-
8	-	-	-	-
9	-	-	-	-
10	-	-	-	-
11	-	-	-	-
12	-	-	-	-
13	-	-	-	-
14	-	-	-	-
15	-	-	-	-
16	-	-	-	-
17	-	-	-	-
18	-	-	-	-
19	-	-	-	-
20	-	-	-	-
21	-	-	-	-
22	-	-	-	-
23	-	-	-	-
24	-	-	-	-
25	-	-	-	-
26	-	-	-	-
27	-	-	-	-
28	-	-	-	-
29	-	-	-	-
30	-	-	-	-
31	-	-	-	-
32	-	-	-	-
33	-	-	-	-
34	-	-	-	-
35	-	-	-	-
36	-	-	-	-
37	-	-	-	-
38	-	-	-	-
39	-	-	-	-
40	-	-	-	-
41	-	-	-	-
42	-	-	-	-
43	-	-	-	-
44	-	-	-	-
45	-	-	-	-
46	-	-	-	-
47	-	-	-	-
48	-	-	-	-
49	-	-	-	-
50	-	-	-	-

DRIVE BELT BS4



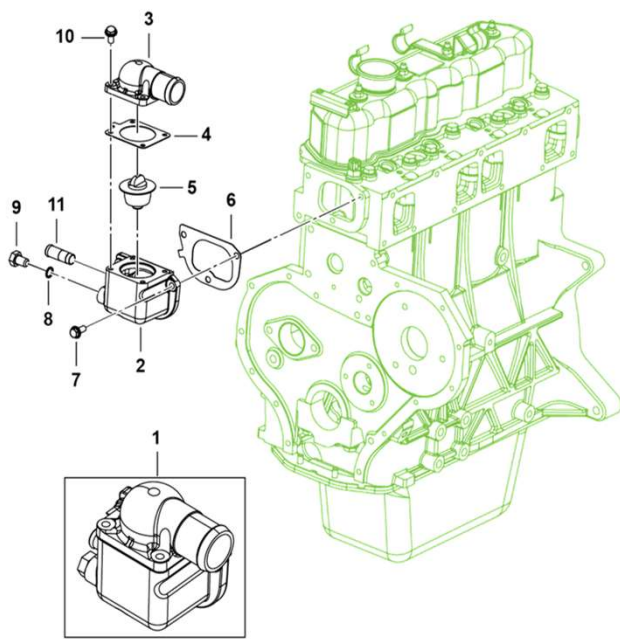
1	0306GB0022N	ALTERNATOR BELT AV X 13 * 1060	1	-
2	-	-	-	-
3	-	-	-	-
4	-	-	-	-
5	-	-	-	-
6	-	-	-	-
7	-	-	-	-
8	-	-	-	-
9	-	-	-	-
10	-	-	-	-
11	-	-	-	-
12	-	-	-	-
13	-	-	-	-
14	-	-	-	-
15	-	-	-	-
16	-	-	-	-
17	-	-	-	-
18	-	-	-	-
19	-	-	-	-
20	-	-	-	-
21	-	-	-	-
22	-	-	-	-
23	-	-	-	-
24	-	-	-	-
25	-	-	-	-
26	-	-	-	-
27	-	-	-	-
28	-	-	-	-
29	-	-	-	-
30	-	-	-	-
31	-	-	-	-
32	-	-	-	-
33	-	-	-	-
34	-	-	-	-
35	-	-	-	-
36	-	-	-	-
37	-	-	-	-
38	-	-	-	-
39	-	-	-	-
40	-	-	-	-
41	-	-	-	-
42	-	-	-	-
43	-	-	-	-
44	-	-	-	-
45	-	-	-	-
46	-	-	-	-
47	-	-	-	-
48	-	-	-	-
49	-	-	-	-
50	-	-	-	-

WATER PUMP BS4



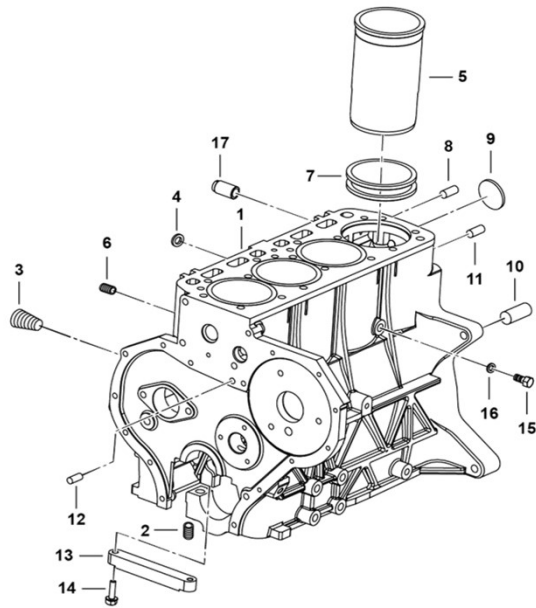
1	0304EB0390N	WATER PUMP ASSY	1	-
2	0304EB0190N	GASKET WATER PUMP	1	-
3	SF0102012	BOLT HEX FL M10X1.5X45X8.8XPH	4	-
4	0304DB0730N	HOSE THERMOSTAT HSG TO WATER PUMP	1	-
5	0062147	CLIP WORM TYPE 20-28	2	-
6	-	-	-	-
7	-	-	-	-
8	-	-	-	-
9	-	-	-	-
10	-	-	-	-
11	-	-	-	-
12	-	-	-	-
13	-	-	-	-
14	-	-	-	-
15	-	-	-	-
16	-	-	-	-
17	-	-	-	-
18	-	-	-	-
19	-	-	-	-
20	-	-	-	-
21	-	-	-	-
22	-	-	-	-
23	-	-	-	-
24	-	-	-	-
25	-	-	-	-
26	-	-	-	-
27	-	-	-	-
28	-	-	-	-
29	-	-	-	-
30	-	-	-	-
31	-	-	-	-
32	-	-	-	-
33	-	-	-	-
34	-	-	-	-
35	-	-	-	-
36	-	-	-	-
37	-	-	-	-
38	-	-	-	-
39	-	-	-	-
40	-	-	-	-
41	-	-	-	-
42	-	-	-	-
43	-	-	-	-
44	-	-	-	-
45	-	-	-	-
46	-	-	-	-
47	-	-	-	-
48	-	-	-	-
49	-	-	-	-
50	-	-	-	-

THERMOSTAT BS4



1	0304EB0680N	THERMOSTAT HOUSING ASSY	1	-
2	0304EB0290N	HOUSING THERMOSTAT	1	-
3	0304EB0300N	CAP THERMOSTAT HOUSING	1	-
4	0311BB0010N	GASKET CAP THERMOSTAT	1	-
5	0304EAB00961N	THERMOSTAT	1	-
6	0311AB0050N	GASKET THERMOSTAT HSG	1	-
7	SF0202008	SCREW HEX FL M8X1.25X20X8.8XPH	3	-
8	7903062026	COPPER WASHER SEAL	1	-
9	9420000232	WATER DRAIN PLUG M 12 X 1.50	1	-
10	0024517	FLANGED BOLT M6X1-20	4	-
11	7810006000	TUBE HEATING INTAKE	1	-
12	-	-	-	-
13	-	-	-	-
14	-	-	-	-
15	-	-	-	-
16	-	-	-	-
17	-	-	-	-
18	-	-	-	-
19	-	-	-	-
20	-	-	-	-
21	-	-	-	-
22	-	-	-	-
23	-	-	-	-
24	-	-	-	-
25	-	-	-	-
26	-	-	-	-
27	-	-	-	-
28	-	-	-	-
29	-	-	-	-
30	-	-	-	-
31	-	-	-	-
32	-	-	-	-
33	-	-	-	-
34	-	-	-	-
35	-	-	-	-
36	-	-	-	-
37	-	-	-	-
38	-	-	-	-
39	-	-	-	-
40	-	-	-	-
41	-	-	-	-
42	-	-	-	-
43	-	-	-	-
44	-	-	-	-
45	-	-	-	-
46	-	-	-	-
47	-	-	-	-
48	-	-	-	-
49	-	-	-	-
50	-	-	-	-

CYLINDER BLOCK BS4

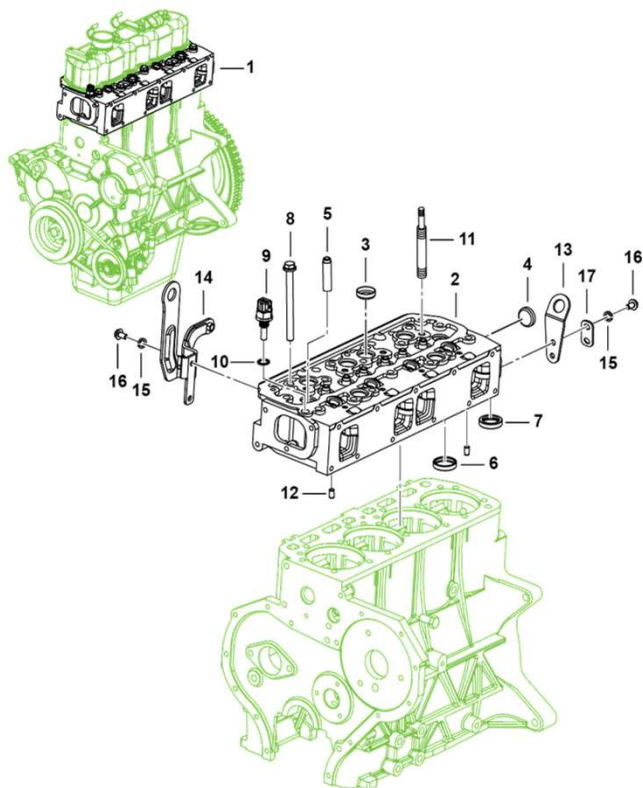


1	0302AAB00730N	ASSY CRANKCASE	1	-
2	0311AAB00330N	PRE COATED TAPER PLUG M13X1.5	2	-
3	0302AB0390N	TAPER PLUG M10 x 1	3	-
4	7903062026	COPPER WASHER SEAL	1	-
5	0302AB0440N	CYLINDER SLEEVE (STD)	1	-
6	0024624	PLUG M14 x 1.5 (HEX HEAD)	1	-
7	0302AAB00690N	O RING CYLINDER BLOCK	2	-
8	7903067028	SPRING PIN 20 x 20	1	-
9	0311BB0030N	PLUG EXPANSION	1	-
10	G141287	PIN DOWEL CYL BLOCK REAR	1	-
11	G141244	PIN DOWEL CYL BLOCK FRONT	2	-
12	0302AG0280N	PLUG M13 x 1.5	3	-
13	0302AB0210N	BRIDGE LADDER FRAME	2	-
14	SF0102005	BOLT HEX FLNG M8X1.25X30X8.8XZN	4	-
15	9420000232	WATER DRAIN PLUG M12 x 1.5	1	-
16	7903062026	COPPER WASHER	1	-
17	-	-	-	-
18	-	-	-	-
19	-	-	-	-
20	-	-	-	-
21	-	-	-	-
22	-	-	-	-
23	-	-	-	-
24	-	-	-	-
25	-	-	-	-
26	-	-	-	-
27	-	-	-	-
28	-	-	-	-
29	-	-	-	-
30	-	-	-	-
31	-	-	-	-
32	-	-	-	-
33	-	-	-	-
34	-	-	-	-
35	-	-	-	-
36	-	-	-	-
37	-	-	-	-
38	-	-	-	-
39	-	-	-	-
40	-	-	-	-
41	-	-	-	-
42	-	-	-	-
43	-	-	-	-
44	-	-	-	-
45	-	-	-	-
46	-	-	-	-
47	-	-	-	-
48	-	-	-	-
49	-	-	-	-
50	-	-	-	-



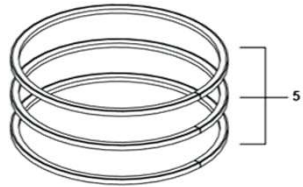
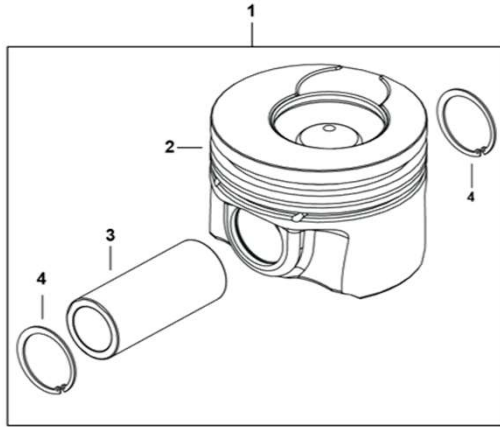


CYLINDER HEAD - BS4



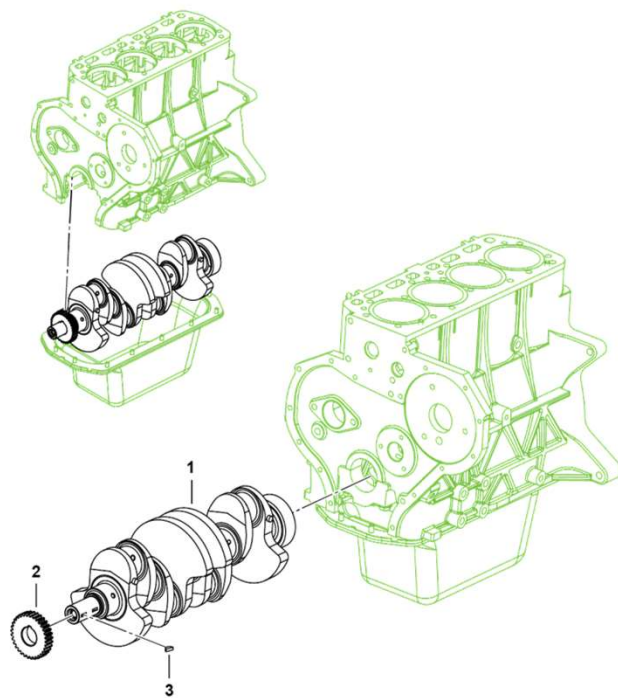
1	0302BAB00490N	ASSY CYLINDER HEAD	1	-
2	0302BAB00470N	CYLINDER HEAD	1	-
3	7932580603	PLUG 0 32mm	6	-
4	7903075058	PLUG 0 38mm	1	-
5	TBD	GUIDE VALVE STEM	8	-
5	0051342	GUIDE VALVE STEM	OPT	-
5	0051894	GUIDE VALVE STEM	OPT	-
6	TBD	VALVE SEAT - INTAKE	4	-
6	0091016	VALVE SEAT - INTAKE	OPT	-
6	Z-0091016	VALVE SEAT - INTAKE	OPT	-
6	0310BB0010N	VALVE SEAT - INTAKE	OPT	-
7	TBD	VALVE SEAT - EXHAUST	4	-
7	0091017	VALVE SEAT - EXHAUST	OPT	-
7	Z-0091017	VALVE SEAT - EXHAUST	OPT	-
7	0310BB0020N	VALVE SEAT - EXHAUST	OPT	-
8	SF0102014	BOLT HEX FL M11X1.5X129X10.9XPH	16	-
9,10	TBD	BOLT HEX FL M11X1.5X129X10.9XPH	16	-
11	0091043	STUD ROCKER ARM BRACKET	4	-
12	0051492	PIN DOWEL	2	-
13	0094040	ENGINE LIFTING HOOK	1	-
14	0302FAB00110N	HOOK ENGINE LIFTING FRONT	1	-
15	0052385	WASHER SPRING	4	-
16	SF0202006	SCREW HEX FL M8X1.25X15X8.8XZN	4	-
17	0023232	CLIP WIRE	1	-
-	-	-	-	-
-	-	-	-	-
-	-	-	-	-
-	-	-	-	-
-	-	-	-	-
-	-	-	-	-
-	-	-	-	-
-	-	-	-	-
-	-	-	-	-
-	-	-	-	-
-	-	-	-	-
-	-	-	-	-
-	-	-	-	-
-	-	-	-	-
-	-	-	-	-
-	-	-	-	-
-	-	-	-	-
-	-	-	-	-
-	-	-	-	-
-	-	-	-	-
-	-	-	-	-

PISTON BS4



TBD		4	-
1	0312BAB01570N	KIT PISTON	1
2	0312BAB01101N	PISTON	1
3	0051666	PISTON PIN	1
4	0051463	CIRCLIP PISTON	2
4	0312BB0571N	CIRCLIP PISTON	OPT
4	0312BAB01221N	CIRCLIP PISTON (SHRIRAM)	OPT
5	0312BAB01560N	PISTON RINGS KIT	1
5A	0312BB0271N	RING COMPRESSION TOP -MDI3200 TC-IPL	1
5B	0312BB0020N	RING PISTON-COMPRESSION MIDDLE- IPL	1
5C	0312BB0030N	RING PISTON-OIL CONTROL (IPL)	1
-	-	-	-
-	-	-	-
-	-	-	-
-	-	-	-
-	-	-	-
-	-	-	-
-	-	-	-
-	-	-	-
-	-	-	-
-	-	-	-
-	-	-	-
-	-	-	-
-	-	-	-
-	-	-	-
-	-	-	-
-	-	-	-
-	-	-	-
-	-	-	-
-	-	-	-
-	-	-	-
-	-	-	-
-	-	-	-
-	-	-	-
-	-	-	-
-	-	-	-
-	-	-	-
-	-	-	-
-	-	-	-

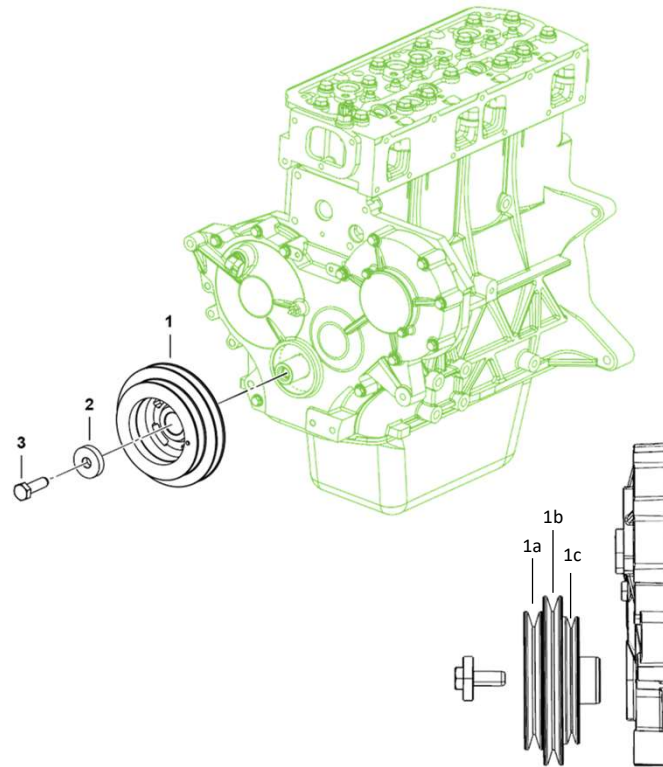
CRANKSHAFT BS4



1	0051967	CRANKSHAFT	1	-
2	0310BB0350N	PINION CRANKSHAFT	1	-
3	0306HB0100N	WOODRUFF KEY	2	-
-	-	-	-	-
-	-	-	-	-
-	-	-	-	-
-	-	-	-	-
-	-	-	-	-
-	-	-	-	-
-	-	-	-	-
-	-	-	-	-
-	-	-	-	-
-	-	-	-	-
-	-	-	-	-
-	-	-	-	-
-	-	-	-	-
-	-	-	-	-
-	-	-	-	-
-	-	-	-	-
-	-	-	-	-
-	-	-	-	-
-	-	-	-	-
-	-	-	-	-
-	-	-	-	-
-	-	-	-	-
-	-	-	-	-
-	-	-	-	-
-	-	-	-	-
-	-	-	-	-
-	-	-	-	-
-	-	-	-	-
-	-	-	-	-
-	-	-	-	-
-	-	-	-	-
-	-	-	-	-
-	-	-	-	-
-	-	-	-	-
-	-	-	-	-
-	-	-	-	-
-	-	-	-	-
-	-	-	-	-
-	-	-	-	-
-	-	-	-	-
-	-	-	-	-



CRANKSHAFT PULLEY BS4

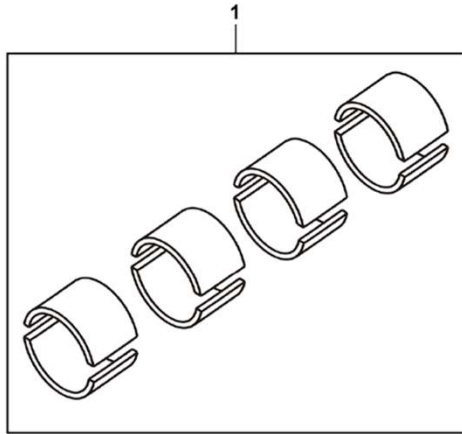


1	0306HB0073N	PULLEY FAN DRIVE 3 GROOVE	1	-
2	0084136	SPACER DAMPER PULLEY	1	-
3	9350208280	SCREW M14 x 1.50 - 45	1	-
-	-	-	-	-
-	-	-	-	-
-	-	-	-	-
-	-	-	-	-
-	-	-	-	-
-	-	-	-	-
-	-	-	-	-
-	-	-	-	-
-	-	-	-	-
-	-	-	-	-
-	-	-	-	-
-	-	-	-	-
-	-	-	-	-
-	-	-	-	-
-	-	-	-	-
-	-	-	-	-
-	-	-	-	-
-	-	-	-	-
-	-	-	-	-
-	-	-	-	-
-	-	-	-	-
-	-	-	-	-
-	-	-	-	-





CONNECTING ROD BEARING BS4



1 0312BB0211N

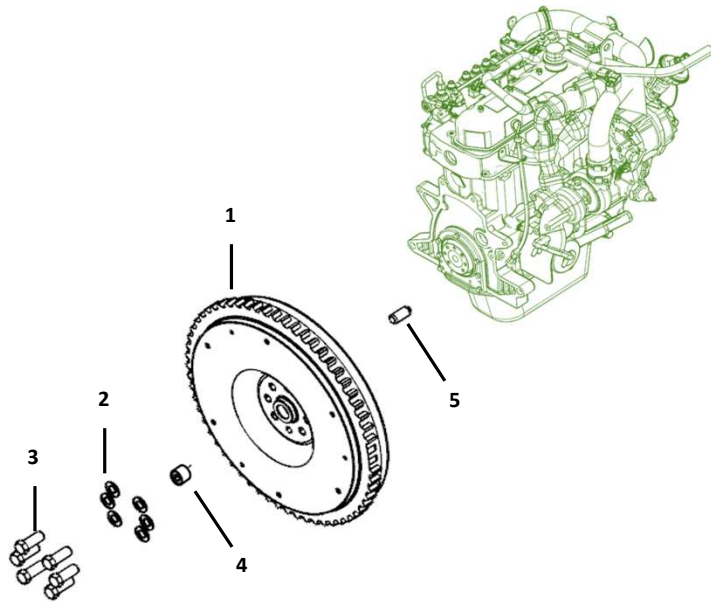
BEARING CONNECTING ROD

1



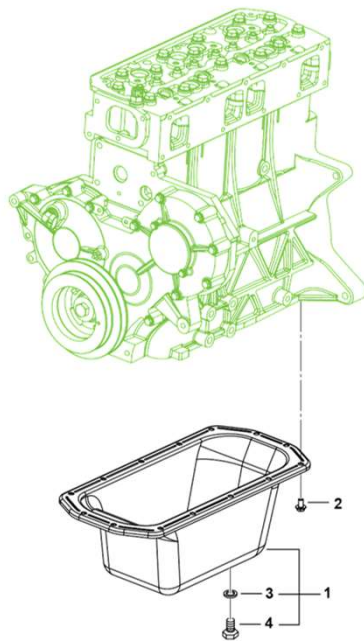


FLYWHEEL MT - BS4



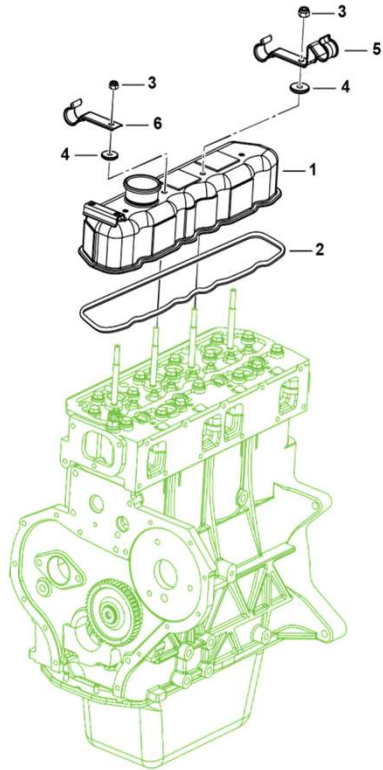
1	0312CAB00280N	FLYWHEEL ASSY	1	-
2	SF0400005	WASHER SPECIAL PLAIN M12X24X2XPH	6	-
3	0312CB0110N	BOLT FLYWHEEL SPECIAL	6	4m-60.0* (OPT:95-11
4	942000007	FLYWHEEL BUSH	1	-
5	9420000528	DOWEL PIN	1	-
-	-	-	-	-
-	-	-	-	-
-	-	-	-	-
-	-	-	-	-
-	-	-	-	-
-	-	-	-	-
-	-	-	-	-
-	-	-	-	-
-	-	-	-	-
-	-	-	-	-
-	-	-	-	-
-	-	-	-	-
-	-	-	-	-
-	-	-	-	-
-	-	-	-	-
-	-	-	-	-
-	-	-	-	-
-	-	-	-	-
-	-	-	-	-
-	-	-	-	-
-	-	-	-	-
-	-	-	-	-
-	-	-	-	-
-	-	-	-	-
-	-	-	-	-
-	-	-	-	-
-	-	-	-	-
-	-	-	-	-
-	-	-	-	-
-	-	-	-	-
-	-	-	-	-
-	-	-	-	-
-	-	-	-	-
-	-	-	-	-
-	-	-	-	-
-	-	-	-	-
-	-	-	-	-
-	-	-	-	-
-	-	-	-	-
-	-	-	-	-
-	-	-	-	-
-	-	-	-	-
-	-	-	-	-
-	-	-	-	-
-	-	-	-	-
-	-	-	-	-
-	-	-	-	-
-	-	-	-	-

OIL PAN BS4



1	0303CB0100N	OIL PAN ASSY	1	-
1	0303CAB00330N	OIL PAN ASSY	1	OPTIONAL
2	SF0202006	SCREW HEX FL M8X1.25X15X8.8XZN	14	
3	0311AAC00260N	CU NON ASBESTOS WASHER DIA 16	1	
4	0303CC0060N	PLUG DRAIN	1	
5	NOT SHOWN	SEALANT - OIL PAN	AR	ICTITE 598 (OR EQUIVALE
-	-	-	-	-
-	-	-	-	-
-	-	-	-	-
-	-	-	-	-
-	-	-	-	-
-	-	-	-	-
-	-	-	-	-
-	-	-	-	-
-	-	-	-	-
-	-	-	-	-
-	-	-	-	-
-	-	-	-	-
-	-	-	-	-
-	-	-	-	-
-	-	-	-	-
-	-	-	-	-
-	-	-	-	-
-	-	-	-	-
-	-	-	-	-
-	-	-	-	-
-	-	-	-	-
-	-	-	-	-
-	-	-	-	-
-	-	-	-	-
-	-	-	-	-
-	-	-	-	-
-	-	-	-	-
-	-	-	-	-
-	-	-	-	-
-	-	-	-	-
-	-	-	-	-
-	-	-	-	-
-	-	-	-	-
-	-	-	-	-
-	-	-	-	-
-	-	-	-	-
-	-	-	-	-
-	-	-	-	-
-	-	-	-	-
-	-	-	-	-
-	-	-	-	-

ROCKER COVER BS4

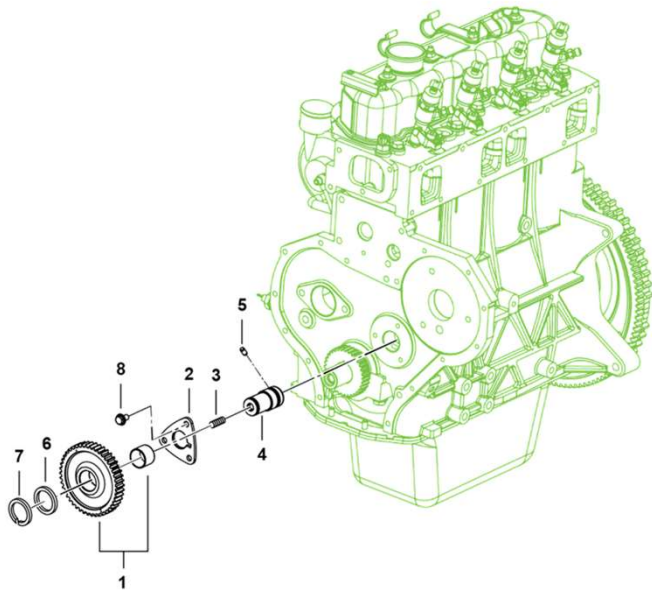


1	0310BB0510N	ROCKER ARM COVER ASSY WITH BRKT	1	-
2	0024735	GASKET ROCKER ARM COVER	1	-
3	SF0302043	NUT NYLOC M8X1.25X9.5X8	4	-
4	0091041	WASHER SEAL ROCKER COVER	4	-
5	0304DAB02030N	CLAMP HEATER HOSE	1	-
6	0304DAB02110N	CLAMP HTR HOSE EXT SIDE	1	-
-	-	-	-	-
-	-	-	-	-
-	-	-	-	-
-	-	-	-	-
-	-	-	-	-
-	-	-	-	-
-	-	-	-	-
-	-	-	-	-
-	-	-	-	-
-	-	-	-	-
-	-	-	-	-
-	-	-	-	-
-	-	-	-	-
-	-	-	-	-
-	-	-	-	-
-	-	-	-	-
-	-	-	-	-
-	-	-	-	-
-	-	-	-	-
-	-	-	-	-
-	-	-	-	-
-	-	-	-	-
-	-	-	-	-
-	-	-	-	-
-	-	-	-	-



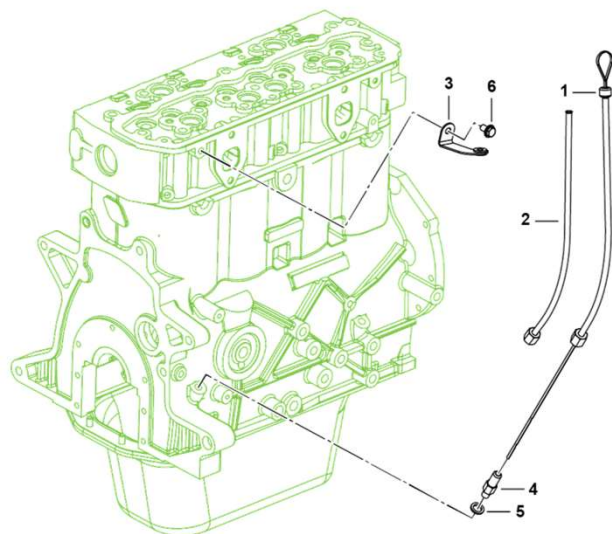


TIMING IDLER GEAR BS4



1	0310BB0430N	IDLER GEAR ASSEMBLY	1	-
2	0310BB0640N	THRUST PLATE	1	-
3	0302AB0390N	PRECOATED PLUG M10	1	-
4	0310BAB00880N	IDLER GEAR SHAFT	1	-
5	0310BB0440N	GROOVED STRAIGHT PIN 3X14	1	-
6	7932564136	SPACER WASHER	1	-
7	SF0601040	CIRCLIP EXT LUG 28X2.0XPH	1	-
8	SF0202006	SCREW HEX FL M8X1.25X15X8.8XZN	3	-
-	-	-	-	-
-	-	-	-	-
-	-	-	-	-
-	-	-	-	-
-	-	-	-	-
-	-	-	-	-
-	-	-	-	-
-	-	-	-	-
-	-	-	-	-
-	-	-	-	-
-	-	-	-	-
-	-	-	-	-
-	-	-	-	-
-	-	-	-	-
-	-	-	-	-
-	-	-	-	-
-	-	-	-	-
-	-	-	-	-
-	-	-	-	-
-	-	-	-	-
-	-	-	-	-
-	-	-	-	-
-	-	-	-	-
-	-	-	-	-
-	-	-	-	-
-	-	-	-	-
-	-	-	-	-
-	-	-	-	-
-	-	-	-	-
-	-	-	-	-
-	-	-	-	-
-	-	-	-	-
-	-	-	-	-
-	-	-	-	-
-	-	-	-	-

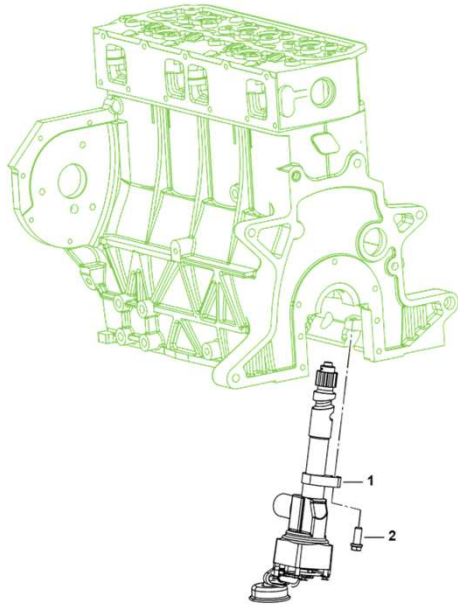
DIPSTICK BS4



1	0303BB0290N	OIL LEVEL INDICATOR	1	-
2	0303BB0110N	DIPSTICK GUIDE	1	-
3	0303BB0260N	BRACKET DIPSTICK ASSEMBLY	1	-
4	0024617	ADAPTOR DIPSTICK	1	-
5	0024743	COPPER WASHER M10	1	-
6	0024501	BOLT FLANGE M8 x 1.25 - 15	1	-
-	-	-	-	-
-	-	-	-	-
-	-	-	-	-
-	-	-	-	-
-	-	-	-	-
-	-	-	-	-
-	-	-	-	-
-	-	-	-	-
-	-	-	-	-
-	-	-	-	-
-	-	-	-	-
-	-	-	-	-
-	-	-	-	-
-	-	-	-	-
-	-	-	-	-
-	-	-	-	-
-	-	-	-	-
-	-	-	-	-
-	-	-	-	-



OIL PUMP BS4

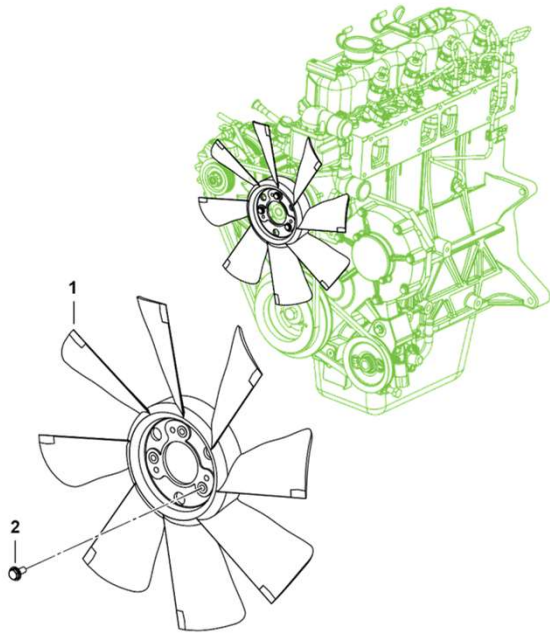


1 0084157  
2 0024630

OIL PUMP ASSY  
BOLT FLANGED M10X1.5X25

1  
1

COOLING FAN BS4

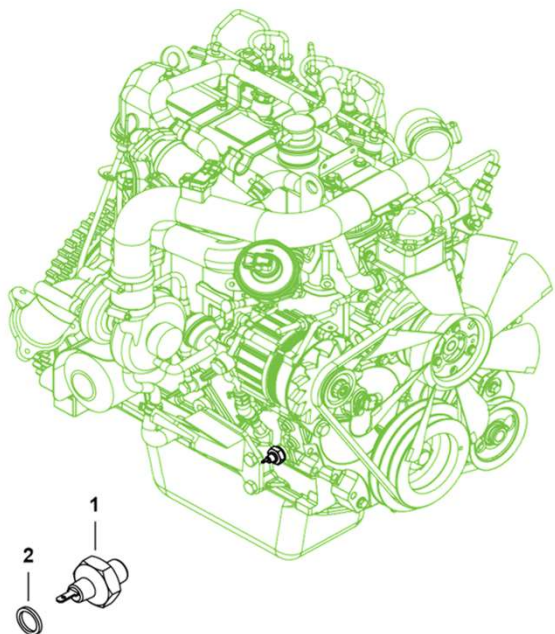


1 7910007436  
2 0024517

COOLING FAN ASSEMBLY  
FLANGED BOLT M6 x 1 - 20

1  
3

OIL PRESSURE SWITCH BS4

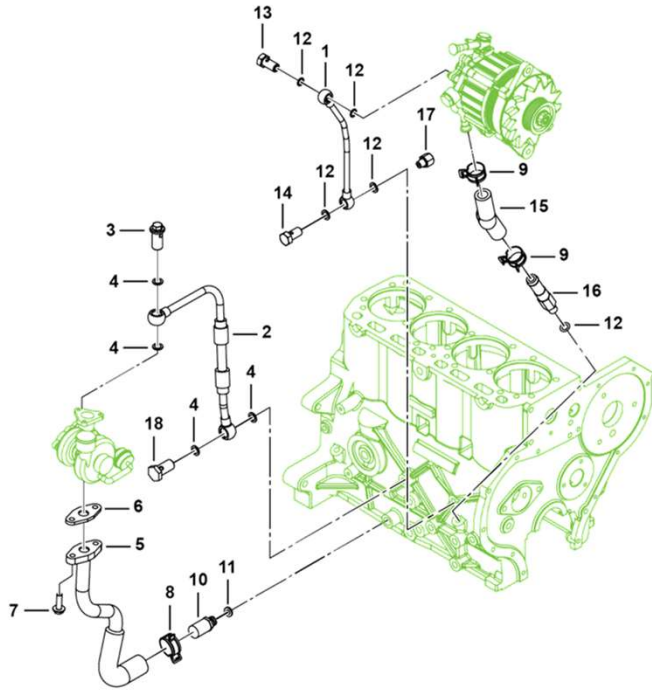


1 0303EB0710N  
 2 0311AAB00320N

OIL PRESSURE SWITCH  
 COPPER NON ASBESTOS WASHER DIA 13

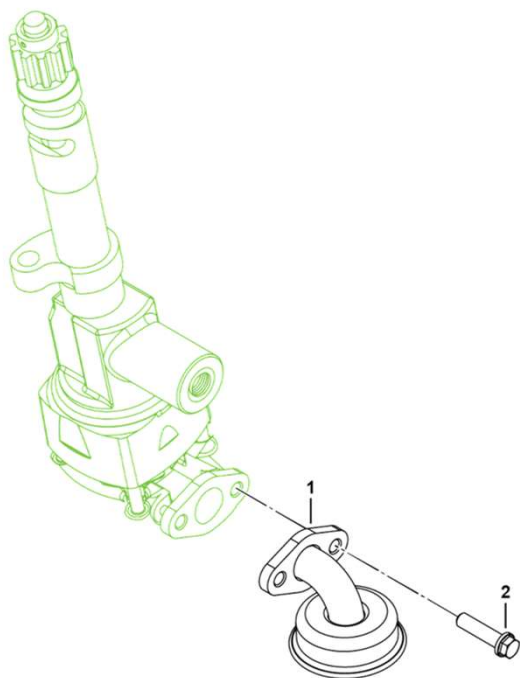
1  
 1

OIL LINES BS4



1	0303B0040N	PIPE OIL VACUUM PUMP INLET	1	-
2	0303EB0180N	OIL LINE TURBO INLET	1	-
3	0303EB0250N	BANJO TURBOCHARGER OIL INLET	1	-
4	9420000194	COPPER WASHER	4	-
5	0303EB0210N	PIPE TURBO OIL RETURN ASSY	1	-
6	0023825	GASKET OIL RETURN	1	-
7	0024517	FLANGED BOLT M6X1-20	2	-
8	SF0705038	CLAMP SPRING BAND 22X12X1.3	1	-
9	SF0705040	CLAMP SPRING BAND 23X12X1.5	2	-
10	03130C0020N	NIPPLE OIL DRAIN	1	-
11	0311AAC00260N	CU NON ASBESTOS WASHER DIA 16	1	-
12	7903062009	SEAL	5	-
13	0056882	BANJO BOLT M10 (V PUMP END)	1	-
14	0050336	BANJO BOLT	1	-
15	0303EB0170N	OIL DRAIN HOSE	1	-
16	0303EB0090N	ADAPTER OIL RETURN	1	-
17	0024793	ADAPTER OIL TO FIP	1	-
18	9420000193	BANJO BOLT	1	-
-	-	-	-	-
-	-	-	-	-
-	-	-	-	-
-	-	-	-	-
-	-	-	-	-
-	-	-	-	-
-	-	-	-	-
-	-	-	-	-
-	-	-	-	-
-	-	-	-	-
-	-	-	-	-
-	-	-	-	-
-	-	-	-	-
-	-	-	-	-
-	-	-	-	-
-	-	-	-	-
-	-	-	-	-
-	-	-	-	-
-	-	-	-	-
-	-	-	-	-
-	-	-	-	-
-	-	-	-	-

OIL STRAINER BS4

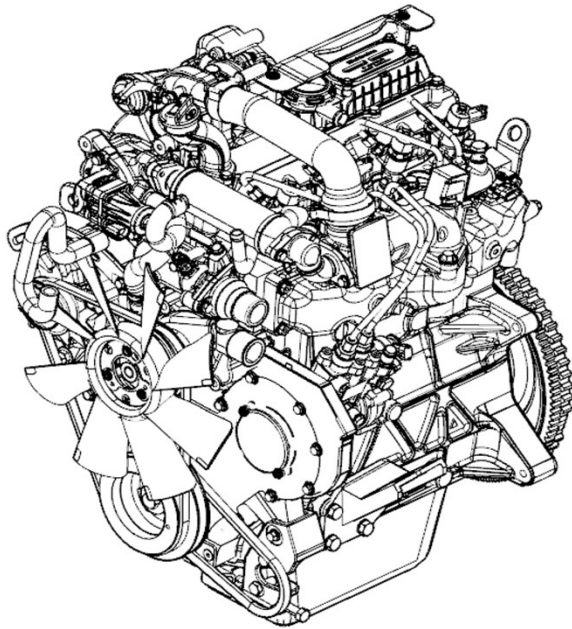


1 0303AB0150N  
 2 SF0202017

STRAINER ASSY  
 SCREW HEX FL M6X1X15X8.8XGR

1  
 2

title



1	0301BAB05260N	ENGINE ASSEMBLY ROXOR DT4	-	-
2	-	-	-	-
3	-	-	-	-
4	-	-	-	-
5	-	-	-	-
6	-	-	-	-
7	-	-	-	-
8	-	-	-	-
9	-	-	-	-
10	-	-	-	-
11	-	-	-	-
12	-	-	-	-
13	-	-	-	-
14	-	-	-	-
15	-	-	-	-
16	-	-	-	-
17	-	-	-	-
18	-	-	-	-
19	-	-	-	-
20	-	-	-	-
21	-	-	-	-
22	-	-	-	-
23	-	-	-	-
24	-	-	-	-
25	-	-	-	-
26	-	-	-	-
27	-	-	-	-
28	-	-	-	-
29	-	-	-	-
30	-	-	-	-
31	-	-	-	-
32	-	-	-	-
33	-	-	-	-
34	-	-	-	-
35	-	-	-	-
36	-	-	-	-
37	-	-	-	-
38	-	-	-	-
39	-	-	-	-
40	-	-	-	-
41	-	-	-	-
42	-	-	-	-
43	-	-	-	-
44	-	-	-	-
45	-	-	-	-
46	-	-	-	-
47	-	-	-	-
48	-	-	-	-
49	-	-	-	-
50	-	-	-	-